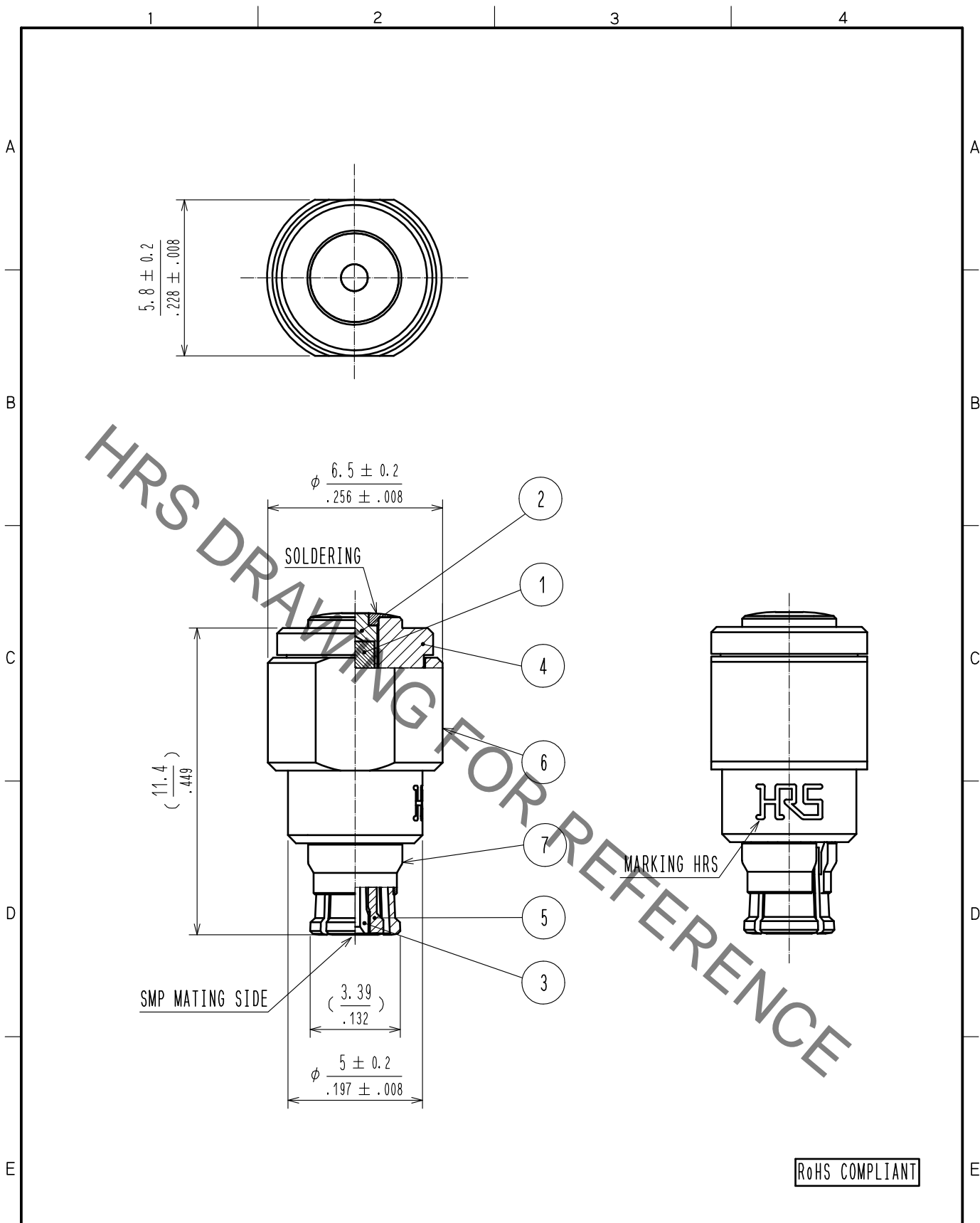


Aug.1.2020 Copyright 2020 HIROSE ELECTRIC CO., LTD. All Rights Reserved.
 In case of consideration for using Automotive equipment / device which demand high reliability, kindly contact our sales window correspondents.



4	BRASS	GOLD PLATING							
3	BERYLLIUM COPPER	GOLD PLATING	7	BERYLLIUM COPPER	GOLD PLATING				
2	BRASS	GOLD PLATING	6	BERYLLIUM COPPER	GOLD PLATING				
1	RESISTANCE	50Ω	5	PTFE					
NO.	MATERIAL	FINISH .	REMARKS	NO.	MATERIAL	FINISH .	REMARKS		
UNITS mm		SCALE 5 : 1	COUNT 	DESCRIPTION OF REVISIONS		DESIGNED	CHECKED	DATE	
HIROSE ELECTRIC CO., LTD.		APPROVED : KH. IKEDA	17. 09. 08	DRAWING NO.		EDC-375383-00-00			
		CHECKED : TS. NOBE	17. 09. 08	PART NO.		SMP-TMJ			
		DESIGNED : AH. MARUYAMA	17. 09. 08	CODE NO.		CL353-0024-0-00			1/1
		DRAWN : AH. MARUYAMA	17. 09. 08						

Mouser Electronics

Authorized Distributor

Click to View Pricing, Inventory, Delivery & Lifecycle Information:

[Hirose Electric:](#)

[SMP-TMJ](#)