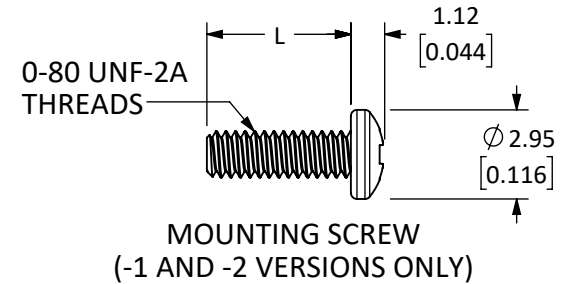
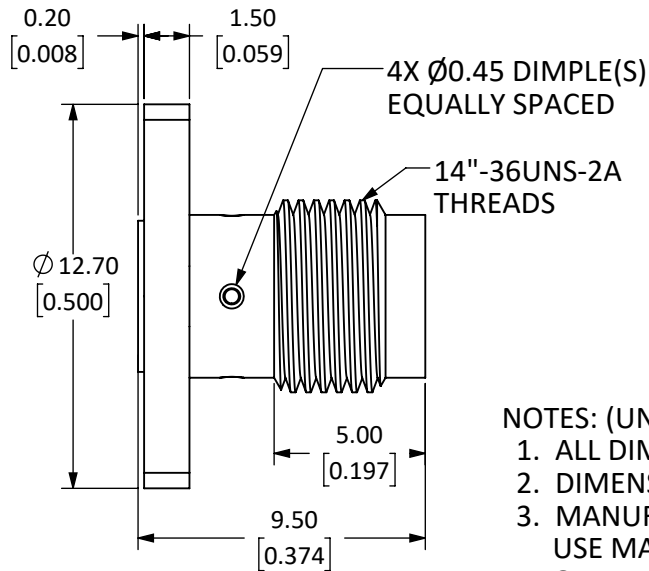
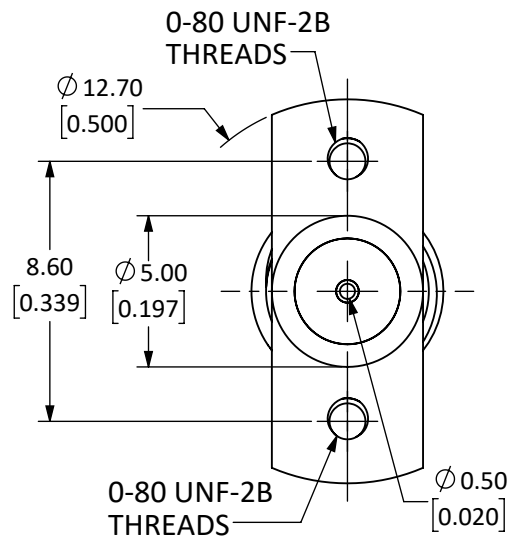


Connector: SMA Jack (Female Socket)				
Body Style	PCB Threaded Flange Mount			
Part Number	CON SMA017	CON SMA017-1	CON SMA017-2	
Connector Part	Material	Finish		
Body	Stainless Steel	Passivated	Passivated	Passivated
Center Contact	Socket: BeCu	Gold	Gold	Gold
Insulator	PTFE	-	-	-
0-80 UNF-2B Threaded Screws	Passivated Stainless Steel	-	2	2
Screw Length (L)	-	4.76mm [0.188"]	6.35mm [0.25"]	

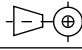
REVISIONS			
REV	DESCRIPTION	DATE	APPV
A	INITIAL RELEASE OF SOLID MODEL.	CLL	6-FEB-20



NOTES: (UNLESS OTHERWISE SPECIFIED)

1. ALL DIMENSIONS ARE IN MILLIMETERS [INCHES].
2. DIMENSIONS APPLY AFTER FINISHING.
3. MANUFACTURE TO BE COMPLIANT WITH EU RoHS DIRECTIVE, USE MATERIALS THAT DO NOT CONTAIN REACH SUBSTANCES OF VERY HIGH CONCERN >1000ppm, AND USE DRC CONFLICT-FREE SOURCED MATERIALS.
4. SAFETY BREAK ALL SHARP CORNERS AND EDGES 0.5 MAXIMUM.
5. SEE TABLE I FOR ELECTRICAL SPECIFICATIONS. (SHEET 2)
6. SEE TABLE II FOR ENVIRONMENTAL SPECIFICATIONS. (SHEET 2)
7. SEE TABLE III FOR MECHANICAL SPECIFICATIONS. (SHEET 2)
8. SEE PARTSLIST. "*" INDICATES SCREW STYPE INCLUDED.

WARNING: THIS DRAWING CONTAINS PROPRIETARY INFORMATION THAT IS THE SOLE PROPERTY OF LINX TECHNOLOGIES, AND SHALL BE TREATED AS SUCH. NO DISCLOSURE OR REPRODUCTION OF THIS DOCUMENT IS PERMITTED, IN WHOLE OR IN PART, WITHOUT THE EXPRESS WRITTEN PERMISSION OF LINX TECHNOLOGIES OR ITS DESIGNATED AGENTS.

MATERIAL:	TOLERANCES: 0.50 [.020]-5.00 [.200]= ±0.20 [.008] 5.00 [.200]-30.00 [1.200]= ±0.40 [.016] 30.0 [1.20]-120.0 [4.75]= ±0.60 [0.24] 120.0 [4.75]-315.0 [12.40]= ±1.0 [.040]	PROJECTION: 
FINISH:	ANGLES: ±1°	

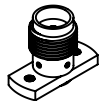
Linx 159 ORT LANE
MERLIN, OR 97532

TITLE:
**SMA FEMALE FLANGE MOUNT
0-80 UNF-2B THREADS**

SIZE	DWG. NO.	REV
A	CON SMA017-*	A

DRAWN: M. SCHULTE	DT: 15-JAN-20
ENGR: D. VARATHARAJAN	DT: 6-FEB-20

SCALE: 4:1	DO NOT SCALE DRAWING	SHEET 1 OF 2
------------	----------------------	--------------



SCALE 1 : 1

5 TABLE I

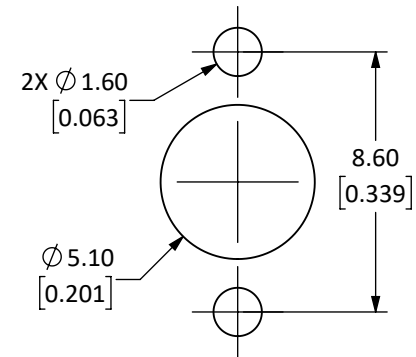
Electrical Data	Detail
Impedance	50 Ω
Frequency Range	0 to 27 GHz
Insulation Resistance	≥ 5000 M Ω
Voltage Rating	1000 V RMS
Contact Resistance	Center ≤ 3.0 m Ω Outer: ≤ 2.0 m Ω
VSWR	≤ 1.5 @18 GHz to 26.5 GHz

6 TABLE II

Environmental Data	Detail
Corrosion (Salt Spray)	MIL-STD-202 METHOD 101 TEST CONDITION B
Thermal Shock	MIL-STD-202 METHOD 107 TEST CONDITION B
Vibration	MIL-STD-202 METHOD 204 TEST CONDITION D
Mechanical Shock	MIL-STD-202 METHOD 213 TEST CONDITION I
Temperature Range	-65 °C to +165 °C
Environmental Compliance	ROHS

7 TABLE III

Mechanical Data	Detail
Mounting Type	Panel Mount
Fastening Type	1/4"-36UNS-2A Threaded Coupling
Recommended Torque	0.57 N.m (5 in.lbs)
Coupling Nut Retention	60 lbs min.
Connector Durability	500 cycles min.
Weight (connector only)	1.4 g (0.05 oz)



RECOMMENDED MOUNTING HOLES

SIZE	DWG. NO.	REV
A	CONSMA017-*	A
SCALE: 4:1	DO NOT SCALE DRAWING	SHEET 2 OF 2

Mouser Electronics

Authorized Distributor

Click to View Pricing, Inventory, Delivery & Lifecycle Information:

[Linx Technologies:](#)

[CONSMA017](#) [CONSMA017-1](#) [CONSMA017-2](#)