

Reference Only

CHIP COIL (CHIP INDUCTORS) LQP03HQ□□□□02D Reference Specification

1.Scope

This reference specification applies to LQP03HQ_02 series, Chip coil (Chip Inductors).

2.Part Numbering

(ex) LQ P 03 H Q 0N5 B 0 2 D
 Product ID Structure Dimension Applications Category Inductance Tolerance Features Electrode Packaging
 (L × W) and Characteristics D:Taping *B:Bulk

*Bulk packing also available. (A product is put in the plastic bag under the taping conditions.)

•Operating Temperature Range. -55°C to +125°C

(Ambient temperature: Rated current can be handled in this temperature range.)

•Storage Temperature Range. -55°C to +125°C

Customer Part Number	MURATA Part Number	Inductance		Q (min)	DC Resistance (Ω max)	Self Resonant Frequency (MHz)		Rated Current (mA)														
		(nH)	Tolerance			Min.	*Typ															
	LQP03HQ0N5W02D	0.5	W:±0.05nH B:±0.1nH C:±0.2nH	20	0.04	20000	>20000	1100														
	LQP03HQ0N5B02D																					
	LQP03HQ0N5C02D																					
	LQP03HQ0N6W02D																					
	LQP03HQ0N6B02D																					
	LQP03HQ0N6C02D																					
	LQP03HQ0N7W02D	0.6				W:±0.05nH B:±0.1nH C:±0.2nH	20		0.04	18000	>20000	1100										
	LQP03HQ0N7B02D																					
	LQP03HQ0N7C02D																					
	LQP03HQ0N8W02D	0.7											W:±0.05nH B:±0.1nH C:±0.2nH	20	0.04	16000	20000	1100				
	LQP03HQ0N8B02D																					
	LQP03HQ0N8C02D																					
	LQP03HQ0N9W02D	0.8	W:±0.05nH B:±0.1nH C:±0.2nH	20	0.04			14000		18000	1100											
	LQP03HQ0N9B02D																					
	LQP03HQ0N9C02D																					
	LQP03HQ1N0W02D	0.9														W:±0.05nH B:±0.1nH C:±0.2nH	20		0.04	16000	20000	1100
	LQP03HQ1N0B02D																					
	LQP03HQ1N0C02D																					
	LQP03HQ1N1W02D	1.0				W:±0.05nH B:±0.1nH C:±0.2nH	20	0.04	14000	18000		1100										
	LQP03HQ1N1B02D																					
	LQP03HQ1N1C02D																					
	LQP03HQ1N2W02D	1.1											W:±0.05nH B:±0.1nH C:±0.2nH	20	0.04			13000		17000	1100	
	LQP03HQ1N2B02D																					
	LQP03HQ1N2C02D																					
	LQP03HQ1N3W02D	1.2	W:±0.05nH B:±0.1nH C:±0.2nH	20	0.04				12000	20000	1100											
	LQP03HQ1N3B02D																					
	LQP03HQ1N3C02D																					
	LQP03HQ1N4W02D	1.3														W:±0.05nH B:±0.1nH C:±0.2nH	20	0.04	12000	18500		1000
	LQP03HQ1N4B02D																					
	LQP03HQ1N4C02D																					
	LQP03HQ1N5W02D	1.4				W:±0.05nH B:±0.1nH C:±0.2nH	20	0.04	10000	16000		800										
	LQP03HQ1N5B02D																					
	LQP03HQ1N5C02D																					
	LQP03HQ1N6W02D	1.5											W:±0.05nH B:±0.1nH C:±0.2nH	20	0.04				10000	16000	800	
	LQP03HQ1N6B02D																					
	LQP03HQ1N6C02D																					
	LQP03HQ1N7W02D	1.6	W:±0.05nH B:±0.1nH C:±0.2nH	20	0.04				10000	16000	800											
	LQP03HQ1N7B02D																					
	LQP03HQ1N7C02D																					
	LQP03HQ1N8W02D	1.7														W:±0.05nH B:±0.1nH C:±0.2nH	20	0.04	10000	16000		800
	LQP03HQ1N8B02D																					
	LQP03HQ1N8C02D																					
	LQP03HQ1N9W02D	1.8				W:±0.05nH B:±0.1nH C:±0.2nH	20	0.04	10000	16000		800										
	LQP03HQ1N9B02D																					
	LQP03HQ1N9C02D																					

Reference Only

Spec No.JELF243C-0021H-01

P.2/12

Customer Part Number	MURATA Part Number	Inductance		Q (min)	DC Resistance (Ω max)	Self Resonant Frequency (MHz)		Rated Current (mA)
		(nH)	Tolerance			Min.	*Typ	
	LQP03HQ1N9W02D	1.9	W: ± 0.05 nH B: ± 0.1 nH C: ± 0.2 nH	20	0.12	10000	14700	600
	LQP03HQ1N9B02D							
	LQP03HQ1N9C02D							
	LQP03HQ2N0W02D	2.0						
	LQP03HQ2N0B02D							
	LQP03HQ2N0C02D							
	LQP03HQ2N1W02D	2.1						
	LQP03HQ2N1B02D							
	LQP03HQ2N1C02D							
	LQP03HQ2N2W02D	2.2						
	LQP03HQ2N2B02D							
	LQP03HQ2N2C02D							
	LQP03HQ2N3W02D	2.3						
	LQP03HQ2N3B02D							
	LQP03HQ2N3C02D							
	LQP03HQ2N4W02D	2.4						
	LQP03HQ2N4B02D							
	LQP03HQ2N4C02D							
	LQP03HQ2N5W02D	2.5						
	LQP03HQ2N5B02D							
	LQP03HQ2N5C02D							
	LQP03HQ2N6B02D	2.6						
	LQP03HQ2N6C02D							
	LQP03HQ2N7B02D							
	LQP03HQ2N7C02D	2.7						
	LQP03HQ2N8B02D							
	LQP03HQ2N8C02D							
	LQP03HQ2N9B02D	2.9						
	LQP03HQ2N9C02D							
	LQP03HQ3N0B02D							
	LQP03HQ3N0C02D	3.0						
	LQP03HQ3N1B02D							
	LQP03HQ3N1C02D							
	LQP03HQ3N2B02D	3.2						
	LQP03HQ3N2C02D							
	LQP03HQ3N3B02D							
	LQP03HQ3N3C02D	3.3						
	LQP03HQ3N4B02D							
	LQP03HQ3N4C02D							
	LQP03HQ3N5B02D	3.5						
	LQP03HQ3N5C02D							
	LQP03HQ3N6B02D							
	LQP03HQ3N6C02D	3.6						
	LQP03HQ3N7B02D							
	LQP03HQ3N7C02D							
	LQP03HQ3N8B02D	3.8						
	LQP03HQ3N8C02D							
	LQP03HQ3N9B02D							
	LQP03HQ3N9C02D	3.9						
	LQP03HQ4N0B02D							
	LQP03HQ4N0C02D							
	LQP03HQ4N1B02D	4.1						
	LQP03HQ4N1C02D							
	LQP03HQ4N2B02D							
	LQP03HQ4N2C02D	4.2						
	LQP03HQ4N3H02D							
	LQP03HQ4N3J02D							
		4.3	H: $\pm 3\%$ J: $\pm 5\%$					

Reference Only

Spec No.JELF243C-0021H-01

P.3/12

Customer Part Number	MURATA Part Number	Inductance		Q (min)	DC Resistance (Ω max)	Self Resonant Frequency (MHz)		Rated Current (mA)
		(nH)	Tolerance			Min.	*Typ	
	LQP03HQ4N4H02D	4.4	H:±3% J:±5%	20	0.25	7000	9500	400
	LQP03HQ4N4J02D							
	LQP03HQ4N5H02D							
	LQP03HQ4N5J02D							
	LQP03HQ4N6H02D							
	LQP03HQ4N6J02D							
	LQP03HQ4N7H02D							
	LQP03HQ4N7J02D							
	LQP03HQ4N8H02D							
	LQP03HQ4N8J02D							
	LQP03HQ4N9H02D							
	LQP03HQ4N9J02D							
	LQP03HQ5N0H02D							
	LQP03HQ5N0J02D							
	LQP03HQ5N1H02D							
	LQP03HQ5N1J02D							
	LQP03HQ5N6H02D							
	LQP03HQ5N6J02D							
	LQP03HQ6N2H02D							
	LQP03HQ6N2J02D							
	LQP03HQ6N8H02D							
	LQP03HQ6N8J02D							
	LQP03HQ7N5H02D							
	LQP03HQ7N5J02D							
	LQP03HQ8N2H02D							
	LQP03HQ8N2J02D							
	LQP03HQ9N1H02D							
	LQP03HQ9N1J02D							
	LQP03HQ10NH02D							
	LQP03HQ10NJ02D							
	LQP03HQ11NH02D							
	LQP03HQ11NJ02D							
	LQP03HQ12NH02D							
	LQP03HQ12NJ02D							
	LQP03HQ13NH02D							
	LQP03HQ13NJ02D							
	LQP03HQ15NH02D							
	LQP03HQ15NJ02D							
	LQP03HQ16NH02D							
	LQP03HQ16NJ02D							
	LQP03HQ18NH02D							
	LQP03HQ18NJ02D							
	LQP03HQ20NH02D							
	LQP03HQ20NJ02D							
	LQP03HQ22NH02D							
	LQP03HQ22NJ02D							
	LQP03HQ24NH02D							
	LQP03HQ24NJ02D							
	LQP03HQ27NH02D							
	LQP03HQ27NJ02D							
	LQP03HQ30NH02D							
	LQP03HQ30NJ02D							
	LQP03HQ33NH02D							
	LQP03HQ33NJ02D							
	LQP03HQ36NH02D							
	LQP03HQ36NJ02D							
	LQP03HQ39NH02D							
	LQP03HQ39NJ02D							

Reference Only

Spec No.JELF243C-0021H-01

P.4/12

Customer Part Number	MURATA Part Number	Inductance		Q (min)	DC Resistance (Ω max)	Self Resonant Frequency (MHz)		Rated Current (mA)
		(nH)	Tolerance			Min.	*Typ	
	LQP03HQ43NH02D	43	H: \pm 3% J: \pm 5%	12	2.5	1300	2200	130
	LQP03HQ43NJ02D						47	
	LQP03HQ47NH02D	51				1200		
	LQP03HQ47NJ02D						56	
	LQP03HQ51NH02D	62				1800		
	LQP03HQ51NJ02D						68	
	LQP03HQ56NH02D	75				1400		
	LQP03HQ56NJ02D						82	
	LQP03HQ62NH02D	91				700		
	LQP03HQ62NJ02D						100	
	LQP03HQ68NH02D	110	1100					
	LQP03HQ68NJ02D			120	800			
	LQP03HQ75NH02D	130	960					
	LQP03HQ75NJ02D			150	880			
	LQP03HQ82NH02D	160	1100					
	LQP03HQ82NJ02D			180	1000			
	LQP03HQ91NH02D	200	900					
	LQP03HQ91NJ02D			220	900			
	LQP03HQR10H02D	240	650					
	LQP03HQR10J02D			270	850			
	LQP03HQR11H02D	300	600					
	LQP03HQR11J02D			330	800			
	LQP03HQR12H02D	360	750					
	LQP03HQR12J02D			390	700			
	LQP03HQR13H02D	430	650					
	LQP03HQR13J02D			470	600			
	LQP03HQR15H02D							
	LQP03HQR15J02D							
	LQP03HQR16H02D							
	LQP03HQR16J02D							
	LQP03HQR18H02D							
	LQP03HQR18J02D							
	LQP03HQR20H02D							
	LQP03HQR20J02D							
	LQP03HQR22H02D							
	LQP03HQR22J02D							
	LQP03HQR24H02D							
	LQP03HQR24J02D							
	LQP03HQR27H02D							
	LQP03HQR27J02D							
	LQP03HQR30H02D							
	LQP03HQR30J02D							
	LQP03HQR33H02D							
	LQP03HQR33J02D							
	LQP03HQR36H02D							
	LQP03HQR36J02D							
	LQP03HQR39H02D							
	LQP03HQR39J02D							
	LQP03HQR43H02D							
	LQP03HQR43J02D							
	LQP03HQR47H02D							
	LQP03HQR47J02D							

* Typical value is actual performance.

4. Testing Conditions

《Unless otherwise specified》

Temperature : Ordinary Temperature / 15°C to 35°C
Humidity: Ordinary Humidity / 25%(RH) to 85 %(RH)

《In case of doubt》

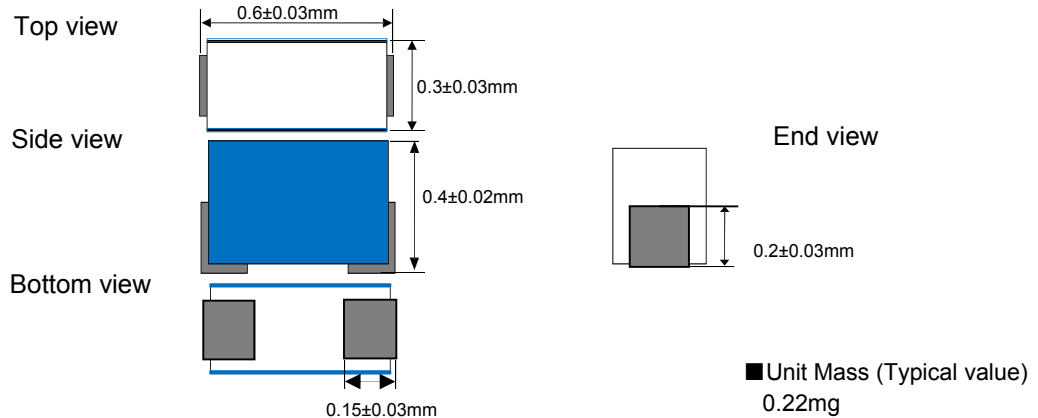
Temperature : 20°C \pm 2°C
Humidity : 60%(RH) to 70 %(RH)
Atmospheric Pressure : 86kPa to 106 kPa

Reference Only

Spec No. JELF243C-0021H-01

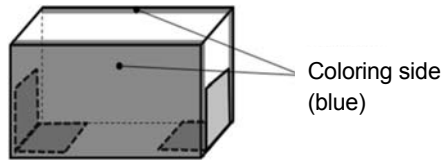
P.5/12

5. Appearance and Dimensions



6. Marking

Side distinguishing marking : Blue



7. Electrical Performance

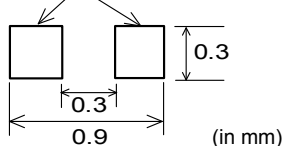
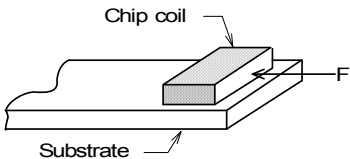
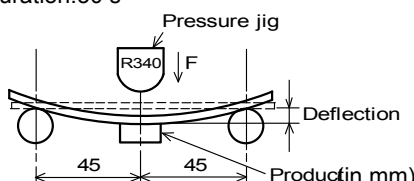
No.	Item	Specification	Test Method
7.1	Inductance	Inductance shall meet item 3.	<p>Measuring Equipment: KEYSIGHT E4991A or equivalent Measuring Frequency: (0.5nH~30nH) 500MHz (33nH~120nH) 300MHz (130nH~470nH) 100MHz</p> <p>Measuring Condition: Test signal level / about 0dBm Electrical length / 10mm Weight / about 1N to 5N Measuring Fixture: KEYSIGHT 16197A Position coil under test as shown in below and contact coil with each terminal by adding weight. Bottom side should be a bottom, and should be in the direction of the fixture for position of chip coil.</p>
7.2	Q	Q shall meet item 3.	<p>Measuring Method: See the endnote. <Electrical Performance: Measuring Method of Inductance/Q></p>
7.3	DC Resistance	DC Resistance shall meet item 3.	Measuring Equipment: Digital multi meter
7.4	Self Resonant Frequency(S.R.F)	S.R.F shall meet item 3.	Measuring Equipment: KEYSIGHT N5230A or equivalent
7.5	Rated Current	Self temperature rise shall be limited to 25°C max.	The rated current is applied.

Reference Only

Spec No. JELF243C-0021H-01

P.6/12

8. Mechanical Performance

No.	Item	Specification	Test Method
8.1	Shear Test	Chip coil shall not be damaged after tested as test method.	<p>Substrate: Glass-epoxy substrate</p> <p>Land</p>  <p style="text-align: right;">(in mm)</p> <p>Force: 2N Hold Duration: 5 s ± 1 s Applied Direction: Parallel to PCB.</p> 
8.2	Bending Test	Chip coil shall not be damaged after tested as test method.	<p>Substrate: Glass-epoxy substrate (100mm × 40mm × 0.8mm)</p> <p>Speed of Applying Force: 1mm / s Deflection: 1mm Hold Duration: 30 s</p>  <p style="text-align: right;">(in mm)</p>
8.3	Vibration	Appearance: No damage Inductance Change: within ±10%	<p>Substrate: Glass-epoxy substrate</p> <p>Oscillation Frequency: 10Hz to 2000Hz to 10Hz for 20 min Total amplitude 1.5 mm or Acceleration amplitude 196 m/s² whichever is smaller.</p> <p>Testing Time: A period of 2h in each of 3 mutually perpendicular directions.</p>
8.4	Solderability	The electrode shall be at least 90% covered with new solder coating.	<p>Flux: Ethanol solution of rosin 25(wt)% (Immersed for 5s to 10s) Solder: Sn-3.0Ag-0.5Cu Pre-Heating: 150°C ± 10°C / 60s to 90s Solder Temperature: 240°C ± 5°C Immersion Time: 3s ± 1s</p>
8.5	Resistance to Soldering Heat	Appearance: No damage Inductance Change: within ±10%	<p>Flux: Ethanol solution of rosin 25(wt)% (Immersed for 5s to 10s) Solder: Sn-3.0Ag-0.5Cu Pre-Heating: 150°C ± 10°C / 60s to 90s Solder Temperature: 260°C ± 5°C Immersion Time: 5s ± 1s Then measured after exposure in the room condition for 24h ± 2h.</p>

9. Environmental Performance

It shall be soldered on the substrate.

No.	Item	Specification	Test Method
9.1	Heat Resistance	Appearance: No damage Inductance Change: within ±10%	<p>Substrate: Glass-epoxy substrate</p> <p>Temperature: 125°C Time: 1000h (+48h, -0h) Then measured after exposure in the room condition for 24h ± 2h.</p>

Reference Only

Spec No. JELF243C-0021H-01

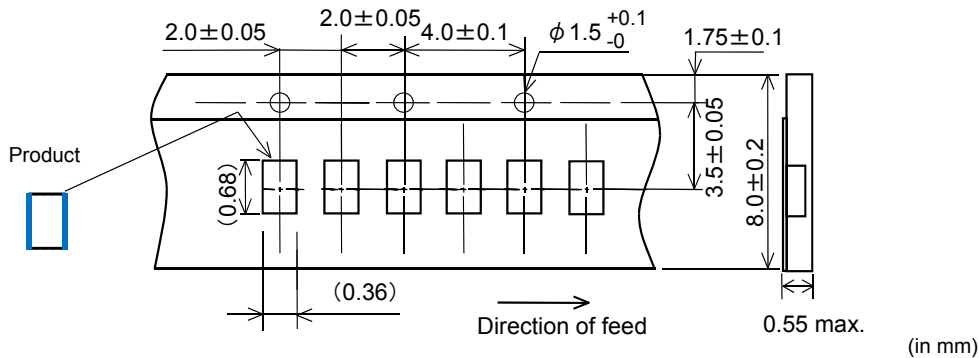
P.7/12

It shall be soldered on the substrate.

No.	Item	Specification	Test Method
9.2	Cold Resistance	Appearance: No damage Inductance Change: within $\pm 10\%$	Substrate: Glass-epoxy substrate Temperature: -55°C Time: 1000 h (+48h, -0h) Then measured after exposure in the room condition for $24\text{h} \pm 2\text{h}$.
9.3	Humidity		Substrate: Glass-epoxy substrate Temperature: $40^{\circ}\text{C} \pm 2^{\circ}\text{C}$ Humidity: 90%(RH) to 95%(RH) Time: 1000 h (+48h, -0h) Then measured after exposure in the room condition for $24\text{h} \pm 2\text{h}$.
9.4	Temperature Cycle		Substrate: Glass-epoxy substrate 1 cycle: 1 step: -55°C / 30min ± 3 min 2 step: Ordinary temp. / 10~15 min 3 step: 125°C / 30min ± 3 min 4 step: Ordinary temp. / 10~15 min Total of 10 cycles Then measured after exposure in the room condition for $24\text{h} \pm 2\text{h}$.

10. Specification of Packaging

10.1 Appearance and Dimensions of paper tape (8mm-wide)



10.2 Specification of Taping

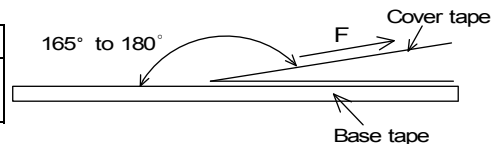
- (1) Packing quantity (standard quantity)
15,000 pcs. / reel
- (2) Packing Method
Products shall be packed in the cavity of the base tape and sealed by cover tape.
- (3) Sprocket hole
The sprocket holes are to the right as the tape is pulled toward the user.
- (4) Spliced point
Base tape and Cover tape has no spliced point.
- (5) Missing components number
Missing components number within 0.1 % of the number per reel or 1 pc. , whichever is greater, and are not continuous. The Specified quantity per reel is kept.

10.3 Pull Strength

Cover tape	5N min
------------	--------

10.4 Peeling off force of cover tape

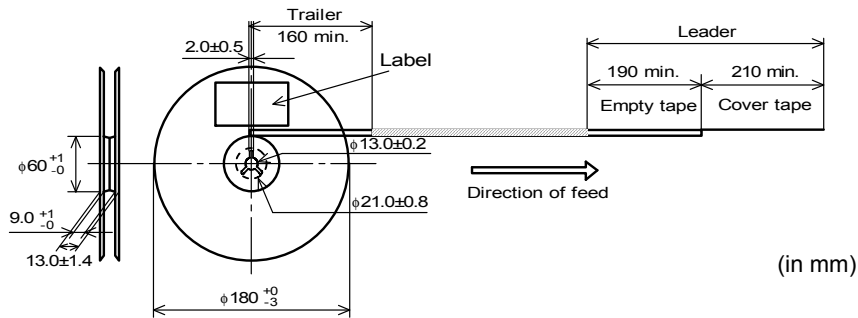
Speed of Peeling off	300mm/min
Peeling off force	0.1N to 0.6N (minimum value is typical)



Reference Only

10.5 Dimensions of Leader-tape, Trailer and Reel

There shall be leader-tape (top tape and empty tape) and trailer-tape (empty tape) as follows.



10.6 Marking for reel

Customer part number, MURATA part number, Inspection number(*1) , RoHS Marking (*2), Quantity etc ...

*1) <Expression of Inspection No.>

□□ OOOO XXX
 (1) (2) (3)

(1) Factory Code

(2) Date

First digit : Year / Last digit of year

Second digit : Month / Jan. to Sep. → 1 to 9, Oct. to Dec. → O,N,D

Third, Fourth digit : Day

(3) Serial No.

*2) <Expression of RoHS Marking>

ROHS - Y (△)
 (1) (2)

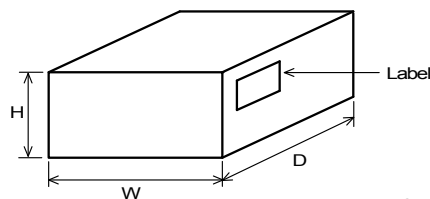
(1) RoHS regulation conformity parts.

(2) MURATA classification number

10.7 Marking for Outside package (corrugated paper box)

Customer name, Purchasing order number, Customer part number, MURATA part number, RoHS Marking (*2) ,Quantity, etc ...

10.8 Specification of Outer Case



Outer Case Dimensions (mm)			Standard Reel Quantity in Outer Case (Reel)
W	D	H	
186	186	93	5

* Above Outer Case size is typical. It depends on a quantity of an order.

11. ⚠ Caution

Limitation of Applications

Please contact us before using our products for the applications listed below which require especially high reliability for the prevention of defects which might directly cause damage to the third party's life, body or property.

- | | |
|-----------------------------------|--|
| (1) Aircraft equipment | (6) Transportation equipment (vehicles, trains, ships, etc.) |
| (2) Aerospace equipment | (7) Traffic signal equipment |
| (3) Undersea equipment | (8) Disaster prevention / crime prevention equipment |
| (4) Power plant control equipment | (9) Data-processing equipment |
| (5) Medical equipment | (10) Applications of similar complexity and /or reliability requirements to the applications listed in the above |

12. Notice

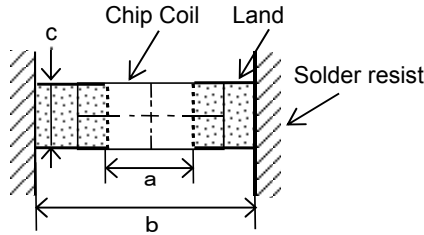
Products can only be soldered with reflow.

This product is designed for solder mounting.

Please consult us in advance for applying other mounting method such as conductive adhesive.

Reference Only

12.1 Land pattern designing



a	0.3
b	0.9
c	0.25~0.30

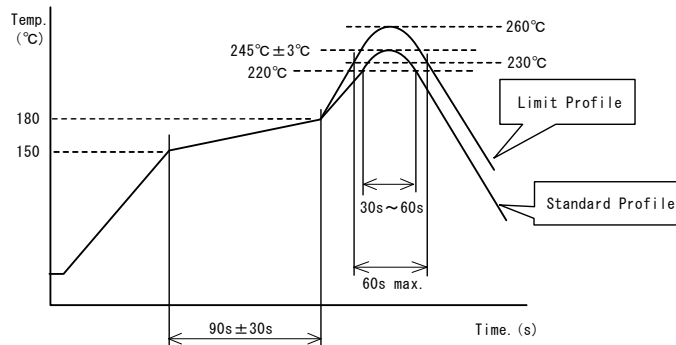
(in mm)

12.2 Flux, Solder

- Use rosin-based flux.
Don't use highly acidic flux with halide content exceeding 0.2(wt)% (chlorine conversion value).
Don't use water-soluble flux.
- Use Sn-3.0Ag-0.5Cu solder.
- Standard thickness of solder paste : 100 μ m

12.3 Reflow soldering conditions

- Pre-heating should be in such a way that the temperature difference between solder and product surface is limited to 150°C max. Cooling into solvent after soldering also should be in such a way that the temperature difference is limited to 100°C max. Insufficient pre-heating may cause cracks on the product, resulting in the deterioration of products quality.
- Standard soldering profile and the limit soldering profile is as follows.
The excessive limit soldering conditions may cause leaching of the electrode and / or resulting in the deterioration of product quality.
- Reflow soldering profile



	Standard Profile	Limit Profile
Pre-heating	150°C ~ 180°C , 90s ± 30s	
Heating	above 220°C, 30s ~ 60s	above 230°C, 60s max.
Peak temperature	245°C ± 3°C	260°C, 10s
Cycle of reflow	2 times	

12.4 Reworking with soldering iron

The following conditions must be strictly followed when using a soldering iron.

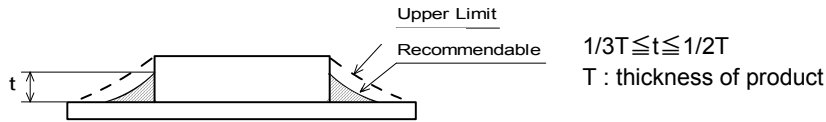
Pre-heating	150°C, 1 min
Tip temperature	350°C max.
Soldering iron output	80W max.
Tip diameter	φ3mm max.
Soldering time	3(+1,-0)s
Time	2 times

Note : Do not directly touch the products with the tip of the soldering iron in order to prevent the crack on the products due to the thermal shock.

Reference Only

12.5 Solder Volume

- Solder shall be used not to be exceeded the upper limits as shown below.



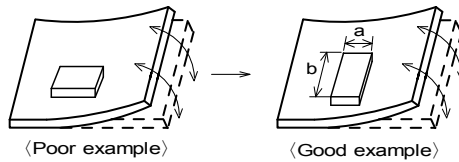
Accordingly increasing the solder volume, the mechanical stress to Chip is also increased. Exceeding solder volume may cause the failure of mechanical or electrical performance.

12.6 Attention regarding P.C.B. bending

The following shall be considered when designing and laying out P.C.B.'s.

- P.C.B. shall be designed so that products are not subject to the mechanical stress due to warping the board.

[Products direction]



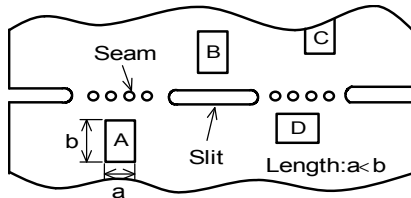
Products shall be located in the sideways direction (Length: $a < b$) to the mechanical stress.

- Components location on P.C.B. separation.

It is effective to implement the following measures, to reduce stress in separating the board.

It is best to implement all of the following three measures; however, implement as many measures as possible to reduce stress.

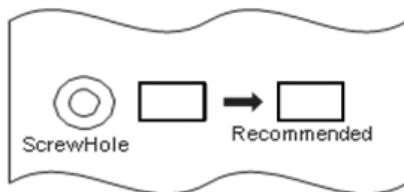
Contents of Measures	Stress Level
(1) Turn the mounting direction of the component parallel to the board separation surface.	A > D *1
(2) Add slits in the board separation part.	A > B
(3) Keep the mounting position of the component away from the board separation surface.	A > C



*1 A > D is valid when stress is added vertically to the perforation as with Hand Separation. If a Cutting Disc is used, stress will be diagonal to the PCB, therefore A > D is invalid.

- Mounting Components Near Screw Holes

When a component is mounted near a screw hole, it may be affected by the board deflection that occurs during the tightening of the screw. Mount the capacitor in a position as far away from the screw holes as possible.



12.7 Cleaning Conditions

Products shall be cleaned on the following conditions.

- (1) Cleaning temperature shall be limited to 60°C max.(40°C max for IPA)
- (2) Ultrasonic cleaning shall comply with the following conditions with avoiding the resonance phenomenon at the mounted products and P.C.B.
Power : 20 W / l max. Frequency : 28kHz to 40kHz Time : 5 min max.
- (3) Cleaner
 1. Alcohol type cleaner
Isopropyl alcohol (IPA)
 2. Aqueous agent
PINE ALPHA ST-100S
- (4) There shall be no residual flux and residual cleaner after cleaning.
In the case of using aqueous agent, products shall be dried completely after rinse with de-ionized water in order to remove the cleaner.
- (5) Other cleaning Please contact us.

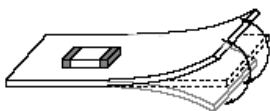
12.8 Resin coating

When products are coated with resin, please contact us in advance.

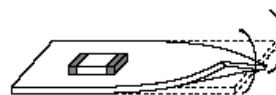
12.9 Handling of a substrate

- (1) There is a possibility of chip cracking caused by PCB expansion/contraction with heat, because stress on a chip is different depending on PCB material and structure.
When the thermal expansion coefficient greatly differs between the board used for mounting and the chip, it will cause cracking of the chip due to the thermal expansion and contraction.
The chip is assumed to be mounted on the PCB of glass-epoxy material, and we don't test with other PCB material which has different thermal expansion coefficient from Glass-epoxy.
When other PCB materials are considered, please be sure to evaluate by yourself.
- (2) After mounting products on a substrate, do not apply any stress to the product caused by bending or twisting to the substrate when cropping the substrate, inserting and removing a connector from the substrate or tightening screw to the substrate.
Excessive mechanical stress may cause cracking in the product.
In case of the mounting on flexible PCB, there is a possibility of chip cracking caused by mechanical stress even from small bending or twisting.
When the flexible PCB is considered, please be sure to evaluate by yourself.

Bending



Twisting



12.10 Storage and Handling Requirements

- (1) Storage period
Use the products within 12 months after delivered.
Solderability should be checked if this period is exceeded.
- (2) Storage conditions
 - Products should be stored in the warehouse on the following conditions.
Temperature : -10°C ~ 40°C
Humidity : 15% to 85% relative humidity No rapid change on temperature and humidity.
 - Products should not be stored on bulk packaging condition to prevent the chipping of the core and the breaking of winding wire caused by the collision between the products.
 - Products should be stored on the palette for the prevention of the influence from humidity, dust and so on.
 - Products should be stored in the warehouse without heat shock, vibration, direct sunlight and so on.
- (3) Handling Condition
Care should be taken when transporting or handling product to avoid excessive vibration or mechanical shock.

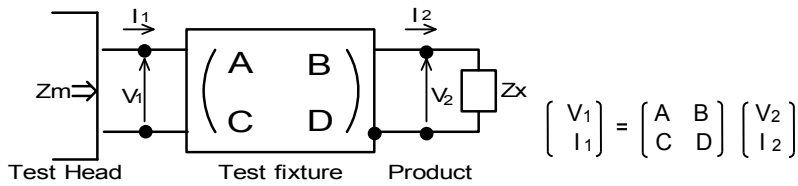
Reference Only

13.⚠ Note

- (1) Please make sure that your product has been evaluated in view of your specifications with our product being mounted to your product.
- (2) You are requested not to use our product deviating from the reference specifications.
- (3) The contents of this reference specification are subject to change without advance notice.
Please approve our product specifications or transact the approval sheet for product specifications before ordering.

<Electrical Performance: Measuring Method of Inductance/Q>

(1) Residual elements and stray elements of test fixture can be described by F-parameter shown in following.



(2) The impedance of chip coil Z_x and measured value Z_m can be described by input/output current/voltage.

$$Z_m = \frac{V_1}{I_1} \quad , \quad Z_x = \frac{V_2}{I_2}$$

(3) Thus, the relation between Z_x and Z_m is following;

$$Z_x = \alpha \frac{Z_m - \beta}{1 - Z_m \Gamma}$$

where, $\alpha = D / A = 1$
 $\beta = B / D = Z_{ss} - (1 - Y_{om} Z_{ss}) Z_{ss}$
 $\Gamma = C / A = Y_{om}$

Z_{sm} : measured impedance of short chip
 Z_{ss} : residual impedance of short chip (0.480nH)
 Y_{om} : measured admittance when opening the fixture

(4) L_x and Q_x shall be calculated with the following equation.

$$L_x = \frac{\text{Im}(Z_x)}{2\pi f} \quad , \quad Q_x = \frac{\text{Im}(Z_x)}{\text{Re}(Z_x)}$$

L_x : Inductance of chip coil
 Q_x : Q of chip coil
 f : Measuring frequency

Mouser Electronics

Authorized Distributor

Click to View Pricing, Inventory, Delivery & Lifecycle Information:

Murata:

[LQP03PN3N3C02D](#) [LQP03PN3N9C02D](#) [LQP03PN4N7J02D](#) [LQP03PN2N7C02D](#) [LQP03PN2N2C02D](#)
[LQP03HQ0N6C02D](#) [LQP03HQ0N7B02D](#) [LQP03HQ1N2W02D](#) [LQP03HQ0N7W02D](#) [LQP03HQ1N0C02D](#)
[LQP03HQ0N6W02D](#) [LQP03HQ0N8B02D](#) [LQP03HQ0N8W02D](#) [LQP03HQ0N9B02D](#) [LQP03HQ1N0B02D](#)
[LQP03HQ1N1C02D](#) [LQP03HQ0N9C02D](#) [LQP03HQ1N0W02D](#) [LQP03HQ1N1B02D](#) [LQP03HQ0N7C02D](#)
[LQP03HQ1N2C02D](#) [LQP03HQ0N8C02D](#) [LQP03HQ0N6B02D](#) [LQP03HQ0N9W02D](#) [LQP03HQ1N1W02D](#)
[LQP03HQ1N2B02D](#) [LQP03HQ11NH02D](#) [LQP03HQ5N6J02D](#) [LQP03HQ9N1J02D](#) [LQP03HQ13NJ02D](#)
[LQP03HQ20NJ02D](#) [LQP03HQ3N2C02D](#) [LQP03HQ3N4C02D](#) [LQP03HQ1N3B02D](#) [LQP03HQ3N7B02D](#)
[LQP03HQ3N9C02D](#) [LQP03HQ4N7J02D](#) [LQP03HQ8N2J02D](#) [LQP03HQ1N8B02D](#) [LQP03HQ1N7C02D](#)
[LQP03HQ1N9C02D](#) [LQP03HQ6N2H02D](#) [LQP03HQ4N1C02D](#) [LQP03HQ4N1B02D](#) [LQP03HQ1N6B02D](#)
[LQP03HQ22NJ02D](#) [LQP03HQ6N2J02D](#) [LQP03HQ5N1J02D](#) [LQP03HQ10NJ02D](#) [LQP03HQ4N7H02D](#)
[LQP03HQ3N2B02D](#) [LQP03HQ2N0C02D](#) [LQP03HQ2N3C02D](#) [LQP03HQ5N6H02D](#) [LQP03HQ2N6B02D](#)
[LQP03HQ6N8J02D](#) [LQP03HQ11NJ02D](#) [LQP03HQ1N7B02D](#) [LQP03HQ2N3B02D](#) [LQP03HQ1N9B02D](#)
[LQP03HQ3N4B02D](#) [LQP03HQ4N3J02D](#) [LQP03HQ2N1C02D](#) [LQP03HQ3N3B02D](#) [LQP03HQ13NH02D](#)
[LQP03HQ2N2C02D](#) [LQP03HQ8N2H02D](#) [LQP03HQ9N1H02D](#) [LQP03HQ2N7B02D](#) [LQP03HQ2N1B02D](#)
[LQP03HQ3N1C02D](#) [LQP03HQ4N0B02D](#) [LQP03HQ2N4C02D](#) [LQP03HQ2N4B02D](#) [LQP03HQ6N8H02D](#)
[LQP03HQ4N3H02D](#) [LQP03HQ3N9B02D](#) [LQP03HQ1N3C02D](#) [LQP03HQ2N5C02D](#) [LQP03HQ3N3C02D](#)
[LQP03HQ4N2C02D](#) [LQP03HQ2N8B02D](#) [LQP03HQ3N1B02D](#) [LQP03HQ3N6C02D](#) [LQP03HQ20NH02D](#)
[LQP03HQ12NJ02D](#) [LQP03HQ2N7C02D](#) [LQP03HQ4N0C02D](#) [LQP03HQ15NJ02D](#) [LQP03HQ3N7C02D](#)
[LQP03HQ3N0C02D](#) [LQP03HQ2N9C02D](#) [LQP03HQ2N8C02D](#) [LQP03HQ1N5C02D](#) [LQP03HQ1N4B02D](#)
[LQP03HQ18NJ02D](#) [LQP03HQ12NH02D](#) [LQP03HQ7N5H02D](#) [LQP03HQ15NH02D](#) [LQP03HQ3N5B02D](#)