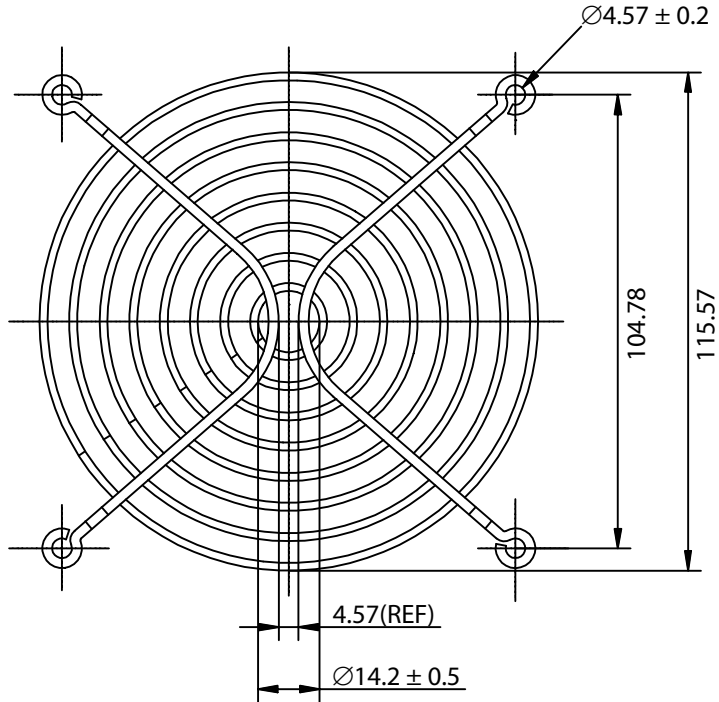


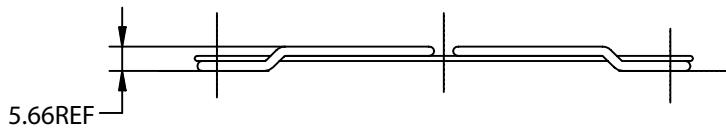
THESE DRAWINGS ARE THE PROPERTY OF QUALTEK ELECTRONICS AND NOT TO BE REPRODUCED FOR OR COMMUNICATED TO A THIRD PARTY WITHOUT THE EXPRESS WRITTEN PERMISSION OF AN OFFICER OF QUALTEK ELECTRONICS.

REVISION			
REV.	DESCRIPTION	DATE	APPROVED
A	RoHS Compliancy	06-01-06	DP



NOTES:

1. MATERIAL: C1008 BRIGHT BASIC WIRE
2. FINISH: BRIGHT NICKEL CHROME PLATING
3. 0.35 ± 0.05 DEPTH OF SERRATIONS ON WIRE
4. RING:  $\varnothing 1.8 \pm 0.1$ mm  
RIB:  $\varnothing 2.3 \pm 0.1$ mm
5. GENERAL TOLERANCE UNLESS NOTED IS  $\pm 0.5$ mm
6. RoHS COMPLIANT



**CONTROLLED**

Dim range (mm)	Tolerance +/- (mm)	Qualtek Electronics Corp. FAN-S DIVISION		
		Part Number:	RoHS Compliant	
0-5	0.1	08130	WIRE FORM FAN GUARD (120mm)	
5-16	0.15			
16-64	0.2		UNIT: mm	REV: A
64-250	0.4		Checked / Date	Approved / Date
250-1000	0.5	Drawn / Date	Checked / Date	Approved / Date
1000-1500	1.0	B. ZHANG 12-06-04	12-06-04	JJH / 12-06-04

# Mouser Electronics

Authorized Distributor

Click to View Pricing, Inventory, Delivery & Lifecycle Information:

[Qualtek:](#)

[08130](#) [8130](#)