

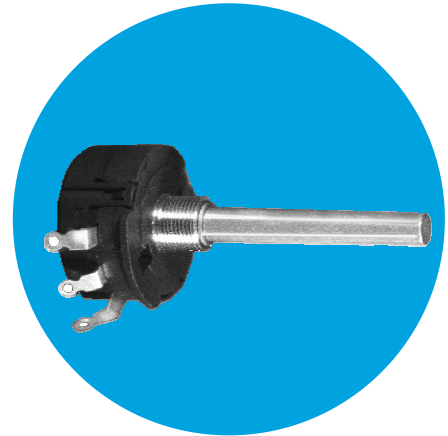
Wirewound rotary potentiometers

Series ABW 2

Type ABW 2 / N

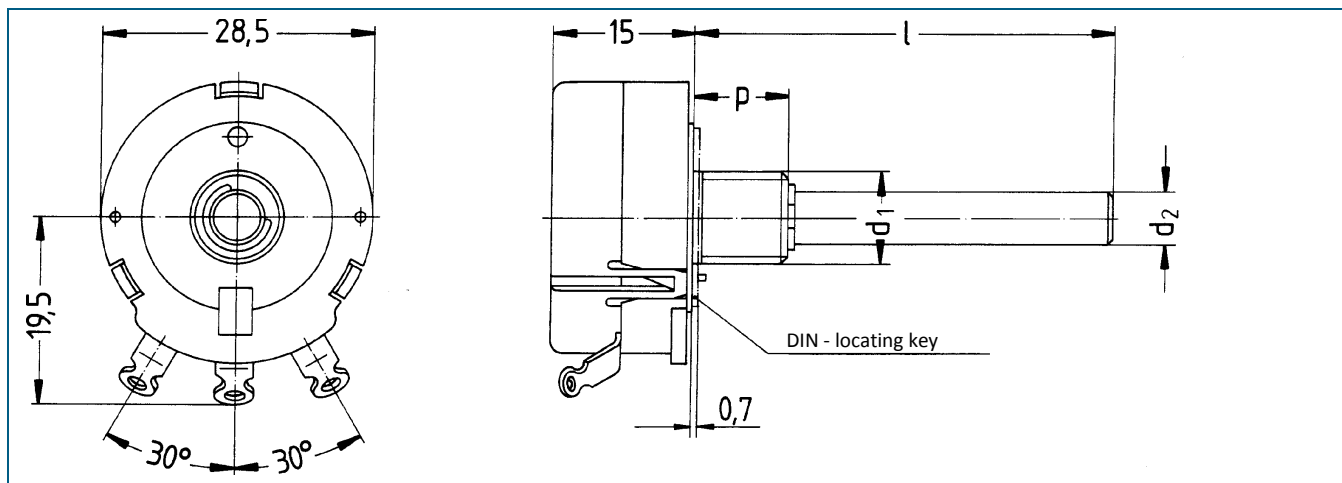
Ordering code no.: 31 143

Basic design: encased, nominal width 28.5 mm, solder tag terminals



Standard version with nut

Special accessories: washer or locating key



Technical data

Rated resistance range	5 Ω - 22 kΩ	Temperature range	-40 °C to +90 °C
Resistance tolerance	± 10 % (< 10 Ω ± 20 %) on request ± 5 % , ± 2 %	Temperature coefficient	See table
Law (resistance taper)	lin (lg on request)	Insulation resistance	1 GΩ
Independent linearity	± 2 % (on request ± 1 %)	Electrical travel	270° ± 5°
Rated dissipation	2 W / 40 °C	Mechanical travel	300° ± 5°
Limiting element voltage	300 V	Operating torque	0.7 - 2.5 Ncm
Isolation voltage	1 kV~	Endstop torque	100 Ncm
Durability	10 000 cycles		

Spindles

- Metal
- End of spindle according to customer specification (length, flat)

l (mm)	p (mm)	d ₂ (mm)	d ₁
standard 50	8	6	M10 x 0,75

Temperature coefficient and resolution

R _N	10 Ω	22 Ω	47 Ω	100 Ω	220 Ω	470 Ω	1 kΩ	2,2 kΩ	4,7 kΩ	10 kΩ	22 kΩ
TC-value ppm / °C	+ 400	+ 400	+ 400	+ 400	+ 40 - 80	+ 40 - 80	+ 40 - 80	+ 40 - 80	+ 40 - 80	+ 140	+ 140
Resolution %	1	0,68	0,59	0,41	0,35	0,29	0,3	0,2	0,12	0,17	0,12

General Note This datasheet does not give any information on product availability. The information given is just meant to describe the product and is not to be considered as guaranteed characteristics in the legal sense. All products are subject to design changes in the interest of further technical development. Copyright: AB Elektronik GmbH (GER) • Email: info@abelektronik.de
www.abelektronik.com • www.abelektronik-industry.com • www.avx.com

Mouser Electronics

Authorized Distributor

Click to View Pricing, Inventory, Delivery & Lifecycle Information:

[Kyocera AVX:](#)

[3114303605](#) [3114304000](#) [3114304798](#) [3114306004](#) [3114307602](#) [3114307999](#) [3114308788](#) [3114306801](#)