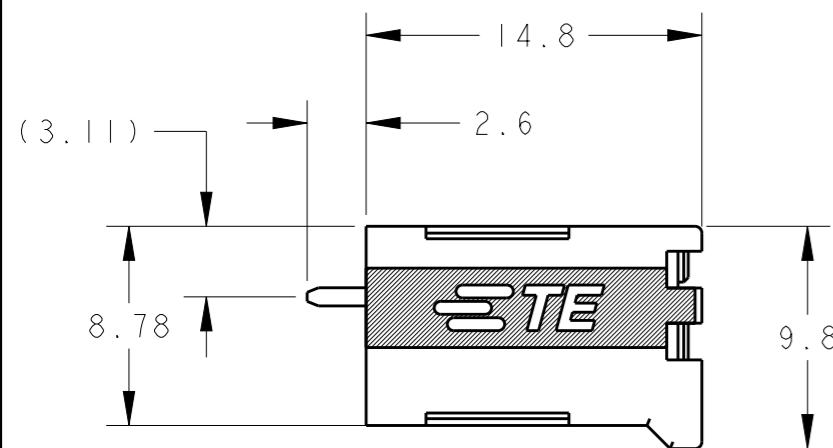
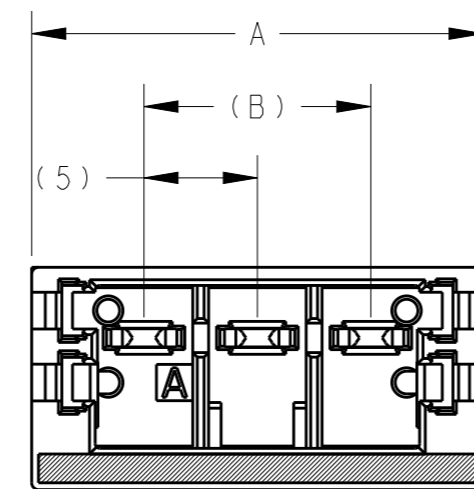
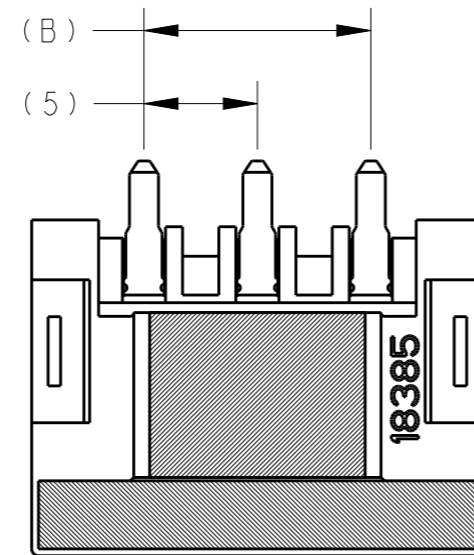


P	LTR	DESCRIPTION	DATE	DWN	APVD
	A	RELEASE	04NOV2020	T.S	E.I

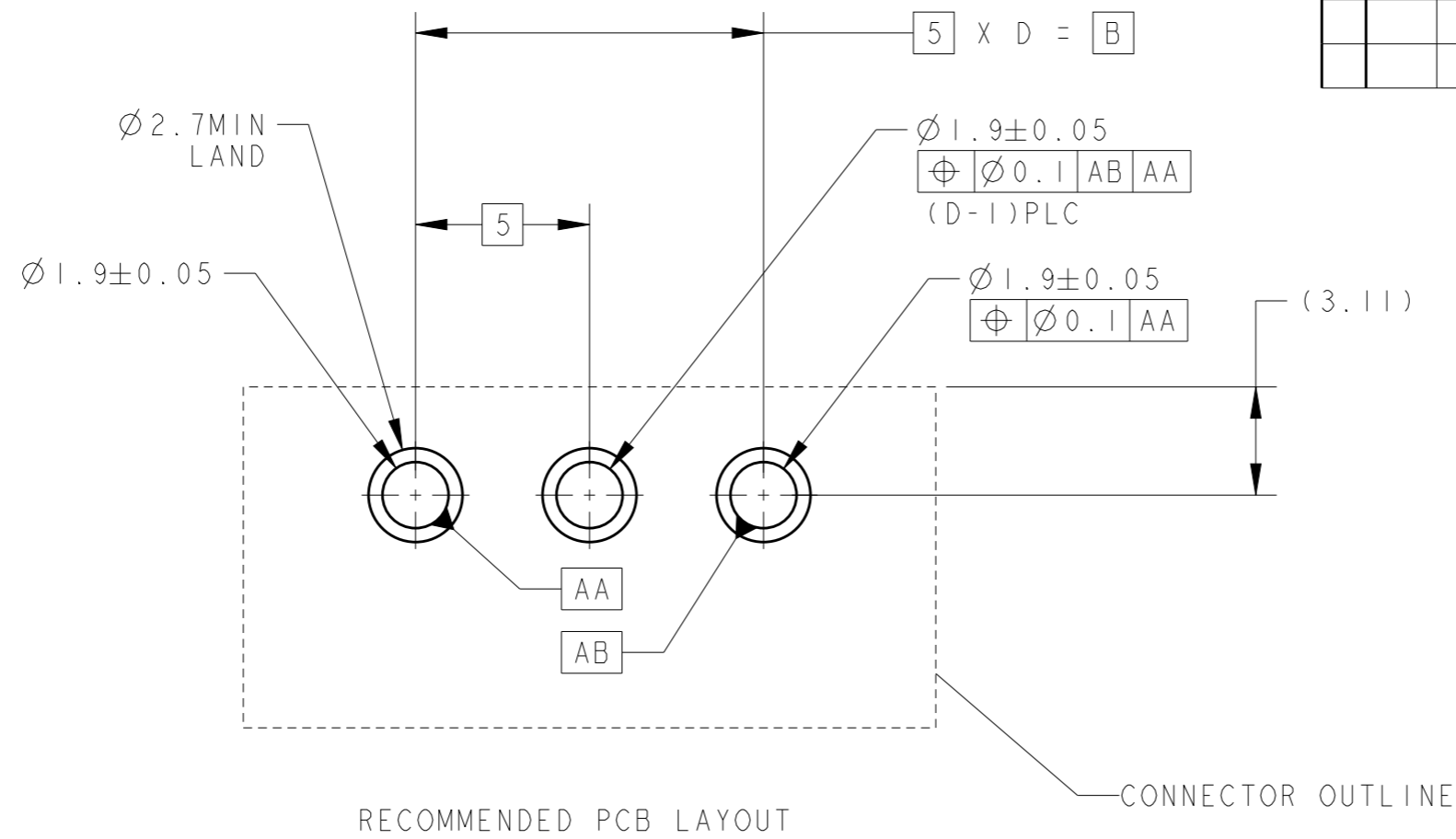
1 MATERIAL AND FINISH  
 HOUSING : LIQUID CRYSTAL PLASTIC, BLACK  
 CONTACT : COPPER ALLOY, PLATING: CONTACT AREA SEE TABLE  
 SOLDERING AREA TIN  
 2. INSTRUCTION SHEET: 408-78171



CONTACT PLATING	D	DIM B	DIM A	NO OF POSN	PART NUMBER
0.38um GOLD	3	15	24.9	4	2-2336494-4
0.38um GOLD	2	10	19.9	3	2-2336494-3
TIN	3	15	24.9	4	2336494-4
TIN	2	10	19.9	3	2336494-3

THIS DRAWING IS A CONTROLLED DOCUMENT.		DWN H. OSABE 04NOV2020	TE Connectivity	
DIMENSIONS: mm		CHK T. SHIMOYASU 04NOV2020		
TOLERANCES UNLESS OTHERWISE SPECIFIED:		APVD F. IKEMATSU 04NOV2020	NAME HEADER ASSEMBLY, 180 DEGREE TYPE D2970 PUSH-IN TYPE, DYNAMIC FIELD INSTALLABLE CONNECTOR	
0 PLC ±0.5 1 PLC ±0.5 2 PLC ±0.5 3 PLC ± 4 PLC ± ANGLES ±5°		PRODUCT SPEC 108-140223	RESTRICTED TO	
MATERIAL		APPLICATION SPEC -	SIZE A3	CAGE CODE 00779
FINISH		WEIGHT -	DRAWING NO C-2336494	
		CUSTOMER DRAWING		SCALE 3:1
		SHEET 1 OF 2		REV A

P	LTR	DESCRIPTION	DATE	DWN	APVD
-		SEE SHEET 1	-	-	-



THIS DRAWING IS A CONTROLLED DOCUMENT.		DWN H. OSABE 15MAY2019		
DIMENSIONS: mm		CHK T. SHIMOYASU 15MAY2019		
TOLERANCES UNLESS OTHERWISE SPECIFIED:		APVD F. IKEMATSU 15MAY2019	NAME HEADER ASSEMBLY, 180 DEGREE TYPE D2970 PUSH-IN TYPE, DYNAMIC FIELD INSTALLABLE CONNECTOR	
0 PLC ±0.5 1 PLC ±0.5 2 PLC ±0.5 3 PLC ± 4 PLC ± ANGLES ±5°		PRODUCT SPEC 108-140223	RESTRICTED TO	
MATERIAL -		APPLICATION SPEC -	SIZE A3	CAGE CODE 00779
FINISH -		WEIGHT -	DRAWING NO C-2336494	SCALE 3:1
		CUSTOMER DRAWING	SHEET 2	OF 2
			REV A	

# Mouser Electronics

Authorized Distributor

Click to View Pricing, Inventory, Delivery & Lifecycle Information:

[TE Connectivity:](#)

[2336494-4](#)