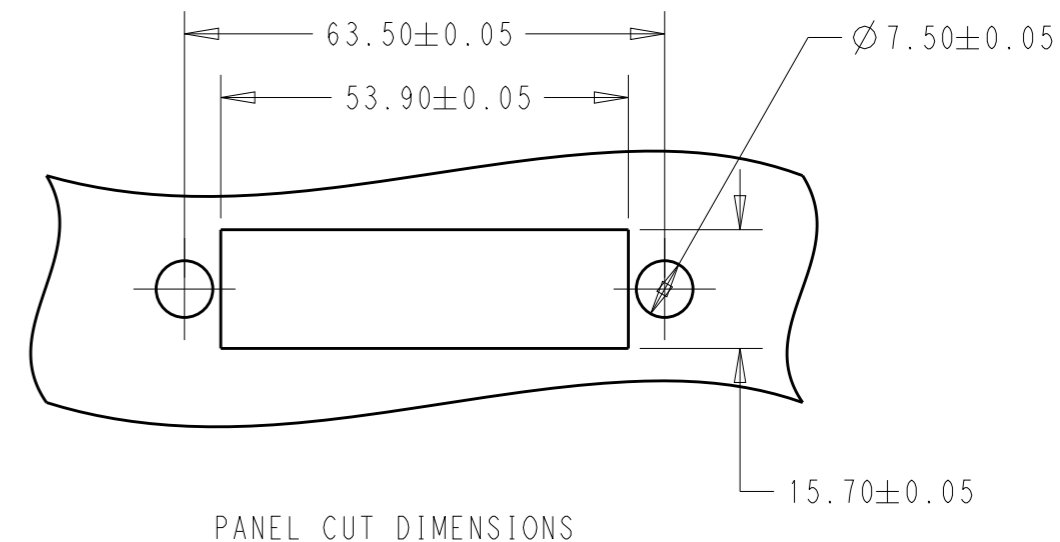
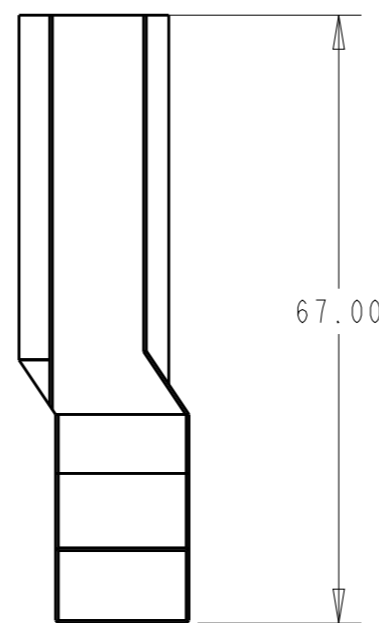
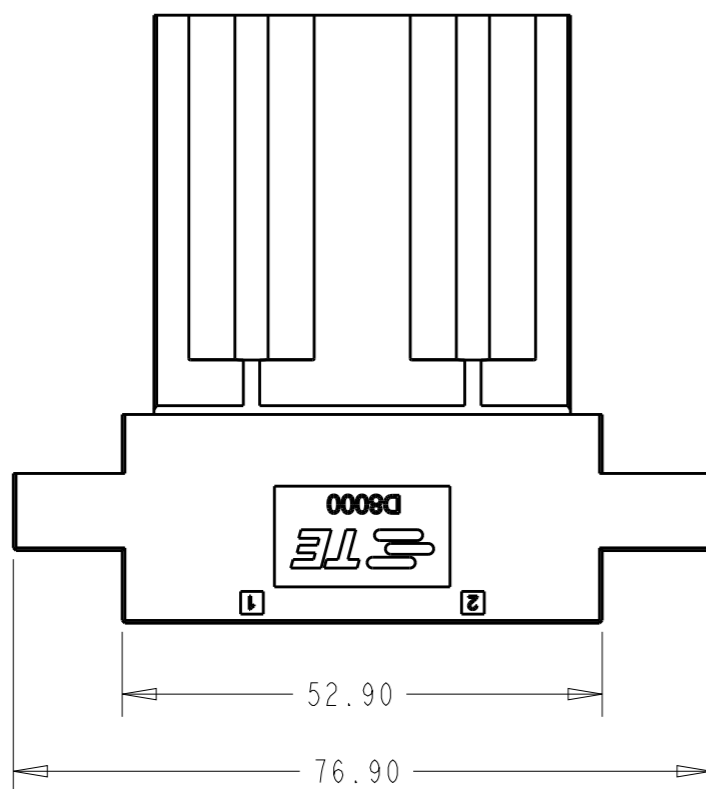
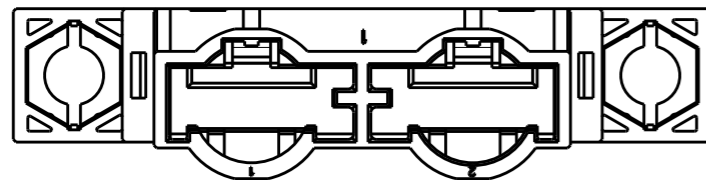
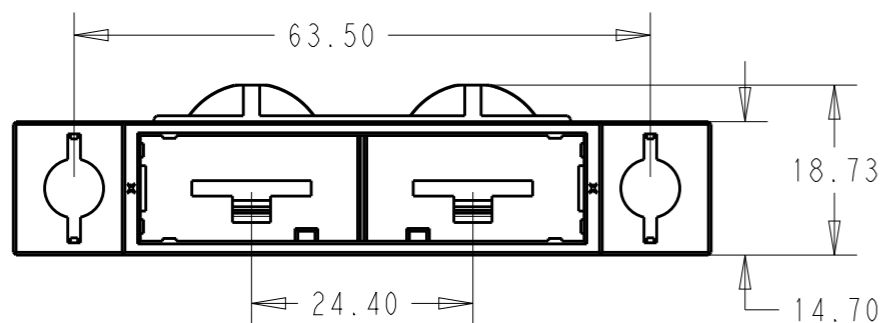


| P | LTR | DESCRIPTION | DATE | DWN | APVD |
|---|-----|-------------|-----------|-----|------|
| | A | INITIAL | 21JUN2020 | A.W | R.B |
| | | | | | |
| | | | | | |

AS SHOWN:1-2352216-2



PANEL CUT DIMENSIONS



NOTE
1. MATERIAL: HOUSING: GLASS FILLED THERMO PLASTIC, POLYESTER(94V-0), COLOR: BLACK

| | | | | |
|---|--|-----------------------------|-------------------------------------|--------------------|
| THIS DRAWING IS A CONTROLLED DOCUMENT. | | DWN ALVIN.W 24MAR2020 | TE Connectivity | |
| DIMENSIONS: mm | | CHK RICK.B 24MAR2020 | | |
| TOLERANCES UNLESS OTHERWISE SPECIFIED: | | APVD RICK.B 24MAR2020 | NAME TAB HOUSING DYNAMIC 8000 | |
| 0 PLC ± 1 PLC ±0.5 2 PLC ±0.4 3 PLC ± 4 PLC ± ANGLES ± | | PRODUCT SPEC 108-140254 | SIZE A3 | |
| MATERIAL SEE NOTE | | FINISH - | APPLICATION SPEC 114-78058 | CAGE CODE 00779 |
| | | WEIGHT 24.9g | DRAWING NO C=2352216 | RESTRICTED TO - |
| | | CUSTOMER DRAWING | SCALE 1:1 | SHEET 1 OF 1 |
| | | | | REV A |

Mouser Electronics

Authorized Distributor

Click to View Pricing, Inventory, Delivery & Lifecycle Information:

[TE Connectivity:](#)

[1-2352216-2](#)