

BLZ/SL KO BK BX

Weidmüller Interface GmbH & Co. KG

Klingenbergstraße 26

D-32758 Detmold

Germany

www.weidmueller.com



Only connects what is supposed to be connected: the right connection at the right place.

Coding elements and locking devices clearly assign connecting elements during the manufacturing process and operation

The coding elements and locking devices are inserted prior to assembly or during the cable assembly phase.

The Weidmüller alternative: configure online using the variant configurator to precode prior to delivery.

Incorrect assembly on the circuit board and incorrect plugging of connecting elements is no longer possible.

The advantage: no troubleshooting during manufacture and no operational errors by the user.

General ordering data

Version	PCB plug-in connector, Accessories, Coding element, black, Number of poles: 1
Order No.	1545710000
Type	BLZ/SL KO BK BX
GTIN (EAN)	4008 190087 142
Qty.	50 pc(s).
Product data	
Packaging	Box

Creation date August 6, 2021 6:34:11 AM CEST

BLZ/SL KO BK BX

Weidmüller Interface GmbH & Co. KG
 Klingenbergstraße 26
 D-32758 Detmold
 Germany

www.weidmueller.com

Technical data

Dimensions and weights

Net weight 0.8 g

Material data

Insulating material	PBT GF	Colour	black
Colour chart (similar)	RAL 9011	Storage temperature, min.	-40 °C
Storage temperature, max.	70 °C	Operating temperature, min.	-50 °C
Operating temperature, max.	100 °C	Temperature range, installation, min.	-25 °C
Temperature range, installation, max.	100 °C		

Rated data acc. to IEC

tested acc. to standard IEC 60664-1, IEC 61984

Packing

Packaging	Box	VPE length	90 mm
VPE width	70 mm	VPE height	42 mm

Classifications

ETIM 6.0	EC002943	ETIM 7.0	EC002943
ETIM 8.0	EC002943	ECLASS 9.0	27-44-04-92
ECLASS 9.1	27-44-04-92	ECLASS 10.0	27-44-04-92
ECLASS 11.0	27-46-04-01		

Important note

IPC conformity Conformity: The products are developed, manufactured and delivered according international recognized standards and norms and comply with the assured properties in the data sheet resp. fulfill decorative properties in accordance with IPC-A-610 "Class 2". Further claims on the products can be evaluated on request.

Notes • Long term storage of the product with average temperature of 50 °C and average humidity 70%, 36 months

Approvals

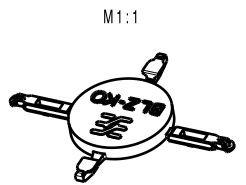
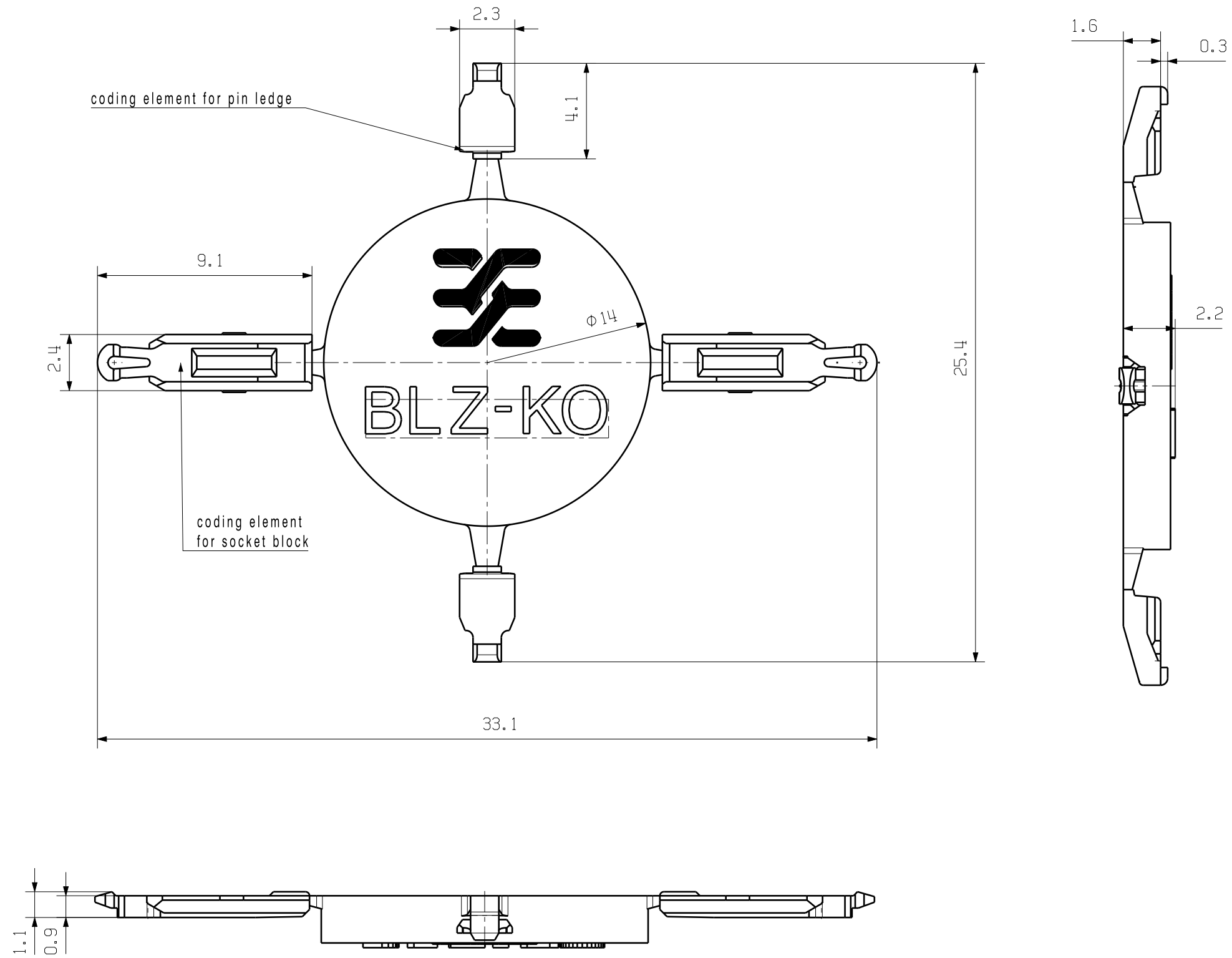
Approvals



ROHS Conform

Downloads

Approval/Certificate/Document of Conformity	Declaration of the Manufacturer
Engineering Data	STEP
Catalogues	Catalogues in PDF-format
Brochures	FL DRIVES EN MB DEVICE MANUF. EN FL DRIVES DE FL BUILDING SAFETY EN FL APPL LED LIGHTING EN FLIndustr.CONTROLS EN FL MACHINE SAFETY EN FL HEATING ELECTR EN FL APPL INVERTER EN FL_BASE_STATION_EN FL ELEVATOR EN FL POWER SUPPLY EN FL 72H SAMPLE SER EN PO OMNIMATE EN FL 72H SAMPLE SER EN PO OMNIMATE EN



1545710000	black	BLZ-KO SW	socket block / pin header black
1573010000	orange	BLZ-KO OR	socket block / pin header orange
order number	colour	title	usage

General tolerance: DIN ISO 2768-mK		92434/0 10.04.17 HERTEL_S 16		Cat.no.: .	
		Modification			
		Drawn	21.05.2015		
Scale: 10:1		Responsible	HERTEL_S	KO BLZ../SL .. KODIERELEMENT ACCESSORY	
Supersedes: .		Checked	18.04.2017		
		Approved	LANG_T	Product file: BLZ 5.08	
				C 62110 02 Drawing no. Issue no. Sheet 01 of 01 sheets	
				7147	

The reproduction, distribution and utilization of this document as well as the communication of its contents to others without explicit authorization is prohibited. Offenders will be held liable for the payment of damages. Weidmüller exclusively reserves the right to file for patents, utility models or designs.

© Weidmüller Interface GmbH & Co. KG

Mouser Electronics

Authorized Distributor

Click to View Pricing, Inventory, Delivery & Lifecycle Information:

[Weidmuller:](#)

[1545710000](#)