

PZ 6 ROTO**Weidmüller Interface GmbH & Co. KG**

Klingenbergstraße 26

D-32758 Detmold

Germany

www.weidmueller.com

**Crimping tools for wire end ferrules, with and without plastic collars**

- Ratchet guarantees precise crimping
- Release option in the event of incorrect operation

General ordering data

Version	Pressing tool, Crimping tool for wire-end ferrules, 0.14mm ² , 6mm ² , Trapezoidal crimp
Order No.	9014350000
Type	PZ 6 ROTO
GTIN (EAN)	4008 190406615
Qty.	1 pc(s).
Replacement parts	9014480000 9202810000 9054820000

Creation date September 9, 2021 7:01:37 AM CEST

Catalogue status 27.08.2021 / We reserve the right to make technical changes.

PZ 6 ROTO**Weidmüller Interface GmbH & Co. KG**

Klingenbergstraße 26

D-32758 Detmold

Germany

www.weidmueller.com

Technical data**Dimensions and weights**

Width	200 mm	Width (inches)	7.874 inch
Weight	428 g	Net weight	427.28 g

Environmental Product Compliance

REACH SVHC	Lead 7439-92-1
------------	----------------

Technical data

Description of article	(1)Crimping tool	Version	Mechanical, without interchangeable inserts
------------------------	------------------	---------	---

Description of contact

Conductor cross-section, max. AWG	AWG 10	Conductor cross-section, min. AWG	AWG 26
Crimping range, max.	6 mm ²	Crimping range, min.	0.14 mm ²
Type of contact	Wire-end ferrules with/without plastic collars		

tool data crimping

Crimping type/profile	Trapezoidal crimp	Wire end ferrules cross-section, max.	6 mm ²
Wire end ferrules cross-section, min.	0.14 mm ²		

Classifications

ETIM 6.0	EC000168	ETIM 7.0	EC000168
ETIM 8.0	EC000168	ECLASS 9.0	21-04-38-11
ECLASS 9.1	21-04-38-11	ECLASS 10.0	21-04-38-11
ECLASS 11.0	21-04-38-11		

Approvals

Approvals

**Downloads**

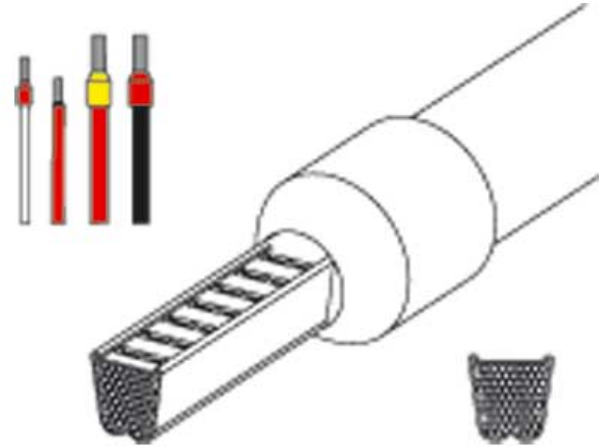
Engineering Data	STEP
Engineering Data	WSCAD
User Documentation	Manual
Catalogues	Catalogues in PDF-format
Brochures	

PZ 6 ROTO

Weidmüller Interface GmbH & Co. KG
Klingenbergstraße 26
D-32758 Detmold
Germany

www.weidmueller.com

Drawings



PZ 6 ROTO

Weidmüller Interface GmbH & Co. KG
 Klingenbergstraße 26
 D-32758 Detmold
 Germany

www.weidmueller.com

Accessories

Strip of wire end ferrules



- Linked of wire-end ferrule strips (50 pcs.)
- Weidmüller colour code
- DIN colour code
- other colour code

General ordering data

Type	H1,0/14T R BD	Version	Packaging
Order No.	9021950000	Wire-end ferrule, Standard, 10 mm, 8 mm, red	Reel
GTIN (EAN)	4008190262747		packaged
Qty.	500 pc(s).		
Type	H1,0/14D R BD	Version	Packaging
Order No.	9004330000	Wire-end ferrule, Standard, 10 mm, 8 mm, red	Reel
GTIN (EAN)	4008190047498		packaged
Qty.	500 pc(s).		
Type	H1,0/14 GE BD	Version	Packaging
Order No.	9004320000	Wire-end ferrule, Standard, 10 mm, 8 mm, yellow	Reel
GTIN (EAN)	4008190167523		packaged
Qty.	500 pc(s).		

packed loose in polythene bag



- supplied loose in polybag
- DIN colour code
- other colour code

General ordering data

Type	H2,5/15D BL	Version	Packaging
Order No.	9019160000	Wire-end ferrule, Standard, 10 mm, 8 mm, blue	loose
GTIN (EAN)	4008190028732		
Qty.	500 pc(s).		
Type	H2,5/19T GR	Version	Packaging
Order No.	9021080000	Wire-end ferrule, Standard, 14 mm, 12 mm, grey	loose
GTIN (EAN)	4008190149345		
Qty.	500 pc(s).		
Type	H2,5/15T GR	Version	Packaging
Order No.	9021070000	Wire-end ferrule, Standard, 10 mm, 8 mm, grey	loose
GTIN (EAN)	4008190128944		
Qty.	500 pc(s).		

Creation date September 9, 2021 7:01:37 AM CEST

Catalogue status 27.08.2021 / We reserve the right to make technical changes.

PZ 6 ROTO

Weidmüller Interface GmbH & Co. KG

Klingenbergstraße 26

D-32758 Detmold

Germany

www.weidmueller.com

Accessories

Type	H2,5/19D BL	Version	Packaging
Order No.	9019170000	Wire-end ferrule, Standard, 14 mm, 12 mm, blue	loose
GTIN (EAN)	4008190178024		
Qty.	500 pc(s).		
Type	H2,5/25T GR	Version	Packaging
Order No.	9021090000	Wire-end ferrule, Standard, 20 mm, 18 mm, grey	loose
GTIN (EAN)	4008190060916		
Qty.	500 pc(s).		
Type	H2,5/25D BL	Version	Packaging
Order No.	9019180000	Wire-end ferrule, Standard, 20 mm, 18 mm, blue	loose
GTIN (EAN)	4008190101145		
Qty.	500 pc(s).		

Strip of wire end ferrules



- Linked of wire-end ferrule strips (50 pcs.)
- DIN colour code
- other colour code

General ordering data

Type	H2,5/14D BL BD	Version	Packaging
Order No.	9004360000	Wire-end ferrule, Standard, 10 mm, 8 mm, blue	Reel
GTIN (EAN)	4008190083397		packaged
Qty.	500 pc(s).		
Type	H2,5/14T GR BD	Version	Packaging
Order No.	9004370000	Wire-end ferrule, Standard, 11 mm, 8 mm, grey	Reel
GTIN (EAN)	4008190052508		packaged
Qty.	500 pc(s).		

supplied loose in polybag



- Polypropylene conical cable entry funnel
- Heat-resistant up to 105°C

For conductors from 0.5 – 10.0 mm² (AWG 20-7)

Material: E-Cu, tin galvanised

Dimensional tolerance acc. to DIN 46228 sect. 4

General ordering data

Type	H2,5/14TS GR	Version	Packaging
Order No.	9426770000	Wire-end ferrule, Standard, 10 mm, 8 mm, grey	loose
GTIN (EAN)	4032248160693		
Qty.	500 pc(s).		

Creation date September 9, 2021 7:01:37 AM CEST

Catalogue status 27.08.2021 / We reserve the right to make technical changes.

PZ 6 ROTO

Weidmüller Interface GmbH & Co. KG
 Klingenbergstraße 26
 D-32758 Detmold
 Germany

www.weidmueller.com

Accessories

Type	H2,5/12TS GR	Version	Packaging
Order No.	9036200000	Wire-end ferrule, Standard, 8 mm, 6 mm, grey	loose
GTIN (EAN)	4032248067992		
Qty.	500 pc(s).		
Type	H2,5/16 TS GR	Version	Packaging
Order No.	9036210000	Wire-end ferrule, Standard, 12 mm, 10 mm, grey	loose
GTIN (EAN)	4032248068005		
Qty.	500 pc(s).		
Type	H2,5/12DS BL	Version	Packaging
Order No.	9028490000	Wire-end ferrule, Standard, 8 mm, 6 mm, blue	loose
GTIN (EAN)	4032248049028		
Qty.	500 pc(s).		
Type	H2,5/14DS BL	Version	Packaging
Order No.	1333100000	Wire-end ferrule, Standard, 10 mm, 8 mm, blue	loose
GTIN (EAN)	4008190160364		
Qty.	500 pc(s).		
Type	H2,5/16DS BL	Version	Packaging
Order No.	9036220000	Wire-end ferrule, Standard, 13 mm, 10 mm, blue	loose
GTIN (EAN)	4032248068012		
Qty.	500 pc(s).		

Multi-bag



- in multi-pack bag (5 x 100 pcs.)
- Weidmüller colour code
- DIN colour code

General ordering data

Type	H1,5/14 R SV	Version	Packaging
Order No.	9026090000	Wire-end ferrule, Standard, 10 mm, 8 mm, red	Multipack bag
GTIN (EAN)	4008190137168		
Qty.	500 pc(s).		
Type	H1,5/16 R SV	Version	Packaging
Order No.	9028350000	Wire-end ferrule, Standard, 12 mm, 10 mm, red	Multipack bag
GTIN (EAN)	4008190902117		
Qty.	500 pc(s).		
Type	H1,5/14D SW SV	Version	Packaging
Order No.	9019430000	Wire-end ferrule, Standard, 10 mm, 8 mm, black	Multipack bag
GTIN (EAN)	4008190107420		
Qty.	500 pc(s).		

PZ 6 ROTO

Weidmüller Interface GmbH & Co. KG
 Klingenbergstraße 26
 D-32758 Detmold
 Germany

www.weidmueller.com

Accessories

Strip of wire end ferrules on reel



- strip of wire end ferrules on reel (5,000 pcs.)
- Weidmüller colour code

General ordering data

Type	H0,34/12 TK BD GSP	Version	Packaging
Order No.	9004390000	Wire-end ferrule, Standard, 10 mm, 8 mm, Turquoise	Reel
GTIN (EAN)	4008190881016		
Qty.	5,000 pc(s).		

packed loose in polythene bag



- supplied loose in polybag
- Weidmüller colour code
- DIN colour code

General ordering data

Type	H0,5/18 OR	Version	Packaging
Order No.	1076980000	Wire-end ferrule, Standard, 14 mm, 12 mm, orange	loose
GTIN (EAN)	4032248834631		
Qty.	500 pc(s).		
Type	H0,5/18D W	Version	Packaging
Order No.	1076990000	Wire-end ferrule, Standard, 14 mm, 12 mm, white	loose
GTIN (EAN)	4032248834624		
Qty.	500 pc(s).		
Type	H0,5/12D W	Version	Packaging
Order No.	9019000000	Wire-end ferrule, Standard, 8 mm, 6 mm, white	loose
GTIN (EAN)	4008190085728		
Qty.	500 pc(s).		
Type	H0,5/12 OR	Version	Packaging
Order No.	0409500000	Wire-end ferrule, Standard, 8 mm, 6 mm, orange	loose
GTIN (EAN)	4008190090456		
Qty.	500 pc(s).		
Type	H0,5/14D W	Version	Packaging
Order No.	9019010000	Wire-end ferrule, Standard, 10 mm, 8 mm, white	loose
GTIN (EAN)	4008190120931		
Qty.	500 pc(s).		

PZ 6 ROTO

Weidmüller Interface GmbH & Co. KG
 Klingenbergstraße 26
 D-32758 Detmold
 Germany

www.weidmueller.com

Accessories

Type	H0,5/16D W	Version	Packaging
Order No.	9019020000	Wire-end ferrule, Standard, 12 mm, 10 mm, white	loose
GTIN (EAN)	4008190047108		
Qty.	500 pc(s).		
Type	H0,5/14 OR	Version	Packaging
Order No.	0690700000	Wire-end ferrule, Standard, 10 mm, 8 mm, orange	loose
GTIN (EAN)	4008190015770		
Qty.	500 pc(s).		
Type	H0,5/16 OR	Version	Packaging
Order No.	9025870000	Wire-end ferrule, Standard, 12 mm, 10 mm, orange	loose
GTIN (EAN)	4008190025045		
Qty.	500 pc(s).		

packed loose in polythene bag



- supplied loose in poly-bag
- Weidmüller colour code
- DIN colour code
- other colour code

General ordering data

Type	H6,0/29 ZH SW	Version	Packaging
Order No.	9037330000	Wire-end ferrule, Twin wire-end ferrule, 24 mm, 18 mm, black	loose
GTIN (EAN)	4008190492809		
Qty.	100 pc(s).		
Type	H6,0/23T ZH GN	Version	Packaging
Order No.	9037690000	Wire-end ferrule, Twin wire-end ferrule, 20 mm, 12 mm, green	loose
GTIN (EAN)	4008190493486		
Qty.	100 pc(s).		
Type	H6,0/23 ZH SW	Version	Packaging
Order No.	9037320000	Wire-end ferrule, Twin wire-end ferrule, 20 mm, 12 mm, black	loose
GTIN (EAN)	4008190492793		
Qty.	100 pc(s).		
Type	H6,0/23D ZH GE	Version	Packaging
Order No.	9037550000	Wire-end ferrule, Twin wire-end ferrule, 20 mm, 12 mm, yellow	loose
GTIN (EAN)	4008190493127		
Qty.	100 pc(s).		
Type	H6,0/29T ZH GN	Version	Packaging
Order No.	9037700000	Wire-end ferrule, Twin wire-end ferrule, 24 mm, 18 mm, green	loose
GTIN (EAN)	4008190493509		
Qty.	100 pc(s).		
Type	H6,0/29D ZH GE	Version	Packaging
Order No.	9037560000	Wire-end ferrule, Twin wire-end ferrule, 24 mm, 18 mm, yellow	loose
GTIN (EAN)	4008190493134		
Qty.	100 pc(s).		

Creation date September 9, 2021 7:01:37 AM CEST

Catalogue status 27.08.2021 / We reserve the right to make technical changes.

PZ 6 ROTO

Weidmüller Interface GmbH & Co. KG

Klingenbergstraße 26

D-32758 Detmold

Germany

www.weidmueller.com

Accessories

packed loose in polythene bag



- supplied loose in poly-bag
- Weidmüller colour code
- DIN colour code

General ordering data

Type	H1,0/19 ZH GE	Version	Packaging
Order No.	9037270000	Wire-end ferrule, Twin wire-end ferrule, 16 mm, 12 mm, yellow	loose
GTIN (EAN)	4008190492748		
Qty.	500 pc(s).		
Type	H1,0/25 ZH GE	Version	Packaging
Order No.	9037280000	Wire-end ferrule, Twin wire-end ferrule, 22 mm, 18 mm, yellow	loose
GTIN (EAN)	4008190492755		
Qty.	500 pc(s).		
Type	H1,0/15 ZH GE	Version	Packaging
Order No.	9037260000	Wire-end ferrule, Twin wire-end ferrule, 11 mm, 8 mm, yellow	loose
GTIN (EAN)	4008190492731		
Qty.	500 pc(s).		
Type	H1,0/15D ZH R	Version	Packaging
Order No.	9037440000	Wire-end ferrule, Twin wire-end ferrule, 11 mm, 8 mm, red, Dark Blue	loose
GTIN (EAN)	4008190493011		
Qty.	500 pc(s).		
Type	H1,0/19D ZH R	Version	Packaging
Order No.	9037450000	Wire-end ferrule, Twin wire-end ferrule, 16 mm, 12 mm, red, Dark Blue	loose
GTIN (EAN)	4008190493028		
Qty.	500 pc(s).		
Type	H1,0/25D ZH R	Version	Packaging
Order No.	9037460000	Wire-end ferrule, Twin wire-end ferrule, 22 mm, 18 mm, red, Dark Blue	loose
GTIN (EAN)	4008190493035		
Qty.	500 pc(s).		

PZ 6 ROTO

Weidmüller Interface GmbH & Co. KG

Klingenbergstraße 26

D-32758 Detmold

Germany

www.weidmueller.com

Accessories

Strip of wire end ferrules on reel



- Linked wire-end ferrules on reel (5,000 pcs.)
- Weidmüller colour code
- DIN colour code
- other colour code

General ordering data

Type	H0,75/14T BL BD GSP	Version	Packaging
Order No.	9005900000	Wire-end ferrule, Standard, 10 mm, 8 mm, Light Blue	Reel
GTIN (EAN)	4008190275969		
Qty.	5,000 pc(s).		
Type	H0,75/14D GR BD GSP	Version	Packaging
Order No.	9005870000	Wire-end ferrule, Standard, 10 mm, 8 mm, grey	Reel
GTIN (EAN)	4008190275938		
Qty.	5,000 pc(s).		
Type	H0,75/14 W BD GSP	Version	Packaging
Order No.	9005820000	Wire-end ferrule, Standard, 10 mm, 8 mm, white	Reel
GTIN (EAN)	4008190275884		
Qty.	5,000 pc(s).		

Multi-bag



- Weidmüller colour code
- in multipack bag (5 x 100 pcs.)

General ordering data

Type	H0,25/10T GE SV	Version	Packaging
Order No.	9021210000	Wire-end ferrule, Standard, 8 mm, 6 mm, yellow	Multipack bag
GTIN (EAN)	4008190045555		
Qty.	500 pc(s).		
Type	H0,25/12 HBL SV	Version	Packaging
Order No.	9025780000	Wire-end ferrule, Standard, 10 mm, 8 mm, Light Blue	Multipack bag
GTIN (EAN)	4008190053239		
Qty.	500 pc(s).		
Type	H0,25/12T GE SV	Version	Packaging
Order No.	9021220000	Wire-end ferrule, Standard, 10 mm, 8 mm, yellow	Multipack bag
GTIN (EAN)	4008190153786		
Qty.	500 pc(s).		

Creation date September 9, 2021 7:01:37 AM CEST

Catalogue status 27.08.2021 / We reserve the right to make technical changes.

10

PZ 6 ROTO

Weidmüller Interface GmbH & Co. KG
 Klingenbergstraße 26
 D-32758 Detmold
 Germany

www.weidmueller.com

Accessories

Type	H0,25/10 HBL SV	Version	Packaging
Order No.	9026050000	Wire-end ferrule, Standard, 8 mm, 6 mm, Light Blue	Multipack bag
GTIN (EAN)	4008190138288		
Qty.	500 pc(s).		

supplied loose in polybag



- Polypropylene conical cable entry funnel
- Heat-resistant up to 105°C

For conductors from 0.5 – 10.0 mm² (AWG 20-7)
 Material: E-Cu, tin galvanised
 Dimensional tolerance acc. to DIN 46228 sect. 4

General ordering data

Type	H4,0/15TS OR	Version	Packaging
Order No.	9036230000	Wire-end ferrule, Standard, 10 mm, 8 mm, orange	loose
GTIN (EAN)	4032248068029		
Qty.	500 pc(s).		
Type	H4,0/20DS GR	Version	Packaging
Order No.	9203630000	Wire-end ferrule, Standard, 15 mm, 12 mm, grey	loose
GTIN (EAN)	4032248565078		
Qty.	500 pc(s).		
Type	H4,0/14DS GR	Version	Packaging
Order No.	9028520000	Wire-end ferrule, Standard, 10 mm, 8 mm, grey	loose
GTIN (EAN)	4032248049035		
Qty.	500 pc(s).		

PZ 6 ROTO**Weidmüller Interface GmbH & Co. KG**

Klingenbergstraße 26

D-32758 Detmold

Germany

www.weidmueller.com

Accessories**Replacement parts**

After stripping the insulation, a suitable contact or wire end ferrule can be crimped onto the end of the cable. Crimping forms a secure connection between conductor and contact and has largely replaced soldering. Crimping denotes the creation of a homogeneous, permanent connection between conductor and connecting element. The connection can be made only with high-quality precision tools. The result is a secure and reliable connection both in mechanical and electrical terms. Weidmüller offers a wide range of mechanical crimping tools. Integral ratchets with release mechanisms guarantee optimum crimping. Crimped connections made with Weidmüller tools comply with international standards and regulations.

General ordering data

Type	ERTE GRIFFE PZ	Version
Order No.	9202810000	Pressing tool, Replacement part
GTIN (EAN)	4032248512577	
Qty.	1 pc(s).	

Multi-bag

- in multi-pack bag (5 x 100 pcs.)
- Weidmüller colour code
- DIN colour code
- other colour code

General ordering data

Type	Version	Packaging
H0,75/16 W SV	Wire-end ferrule, Standard, 12 mm, 10 mm, white	Multipack bag
Order No.	9028290000	
GTIN (EAN)	4008190902056	
Qty.	500 pc(s).	
H0,75/18 W SV	Wire-end ferrule, Standard, 14 mm, 12 mm, white	Multipack bag
Order No.	9028300000	
GTIN (EAN)	4008190902063	
Qty.	500 pc(s).	
H0,75/14D GR SV	Wire-end ferrule, Standard, 10 mm, 8 mm, grey	Multipack bag
Order No.	9019410000	
GTIN (EAN)	4008190164096	
Qty.	500 pc(s).	
H0,75/12 W SV	Wire-end ferrule, Standard, 8 mm, 6 mm, white	Multipack bag
Order No.	9028280000	
GTIN (EAN)	4008190902216	
Qty.	500 pc(s).	

Creation date September 9, 2021 7:01:37 AM CEST

PZ 6 ROTO

Weidmüller Interface GmbH & Co. KG
Klingenbergstraße 26
D-32758 Detmold
Germany

www.weidmueller.com

Accessories

Type	H0,75/14 W SV	Version	Packaging
Order No.	9026070000	Wire-end ferrule, Standard, 10 mm, 8 mm, white	Multipack bag
GTIN (EAN)	4008190187163		
Qty.	500 pc(s).		
Type	H0,75/14T HBL SV	Version	Packaging
Order No.	9021230000	Wire-end ferrule, Standard, 10 mm, 8 mm, Light Blue	Multipack bag
GTIN (EAN)	4008190153106		
Qty.	500 pc(s).		

in multipack bag



- Polypropylene conical cable entry
- Heat-resistant up to 105°C

for conductors from 1.5 to 16 mm² (AWG 16-6)
tin-plated copper
dimensional tolerances to DIN 46228 part 4

General ordering data

Type	H4,0/19,5X GR SV	Version	Packaging
Order No.	9006750000	Wire-end ferrule, Standard, 14 mm, 10 mm, grey	Multipack bag
GTIN (EAN)	4008190332297		
Qty.	100 pc(s).		

Multi-bag



- in multi-pack bag (5 x 100 pcs.)
- Weidmüller colour code
- DIN colour code
- other colour code

General ordering data

Type	H1,0/18 GE SV	Version	Packaging
Order No.	9028340000	Wire-end ferrule, Standard, 15 mm, 12 mm, yellow	Multipack bag
GTIN (EAN)	4008190902100		
Qty.	500 pc(s).		
Type	H1,0/12 GE SV	Version	Packaging
Order No.	9028310000	Wire-end ferrule, Standard, 8 mm, 6 mm, yellow	Multipack bag
GTIN (EAN)	4008190902070		
Qty.	500 pc(s).		
Type	H1,0/16 GE SV	Version	Packaging
Order No.	9028320000	Wire-end ferrule, Standard, 12 mm, 10 mm, yellow	Multipack bag
GTIN (EAN)	4008190902087		
Qty.	500 pc(s).		

Creation date September 9, 2021 7:01:37 AM CEST

PZ 6 ROTO

Weidmüller Interface GmbH & Co. KG
 Klingenbergstraße 26
 D-32758 Detmold
 Germany

www.weidmueller.com

Accessories

Type	H1,0/14D R SV	Version	Packaging
Order No.	9019420000	Wire-end ferrule, Standard, 10 mm, 8 mm, red	Multipack bag
GTIN (EAN)	4008190189099		
Qty.	500 pc(s).		
Type	H1,0/14 GE SV	Version	Packaging
Order No.	9026080000	Wire-end ferrule, Standard, 10 mm, 8 mm, yellow	Multipack bag
GTIN (EAN)	4008190026158		
Qty.	500 pc(s).		

Multi-bag



- in multi-pack bag (5 x 100 pcs.)
- Weidmüller colour code
- DIN colour code

General ordering data

Type	H1,0/15D ZH R SV	Version	Packaging
Order No.	9018540000	Wire-end ferrule, Twin wire-end ferrule, 12 mm, 8 mm, red	Multipack bag
GTIN (EAN)	4008190188832		
Qty.	500 pc(s).		
Type	H1,0/15 ZH GE SV	Version	Packaging
Order No.	9018530000	Wire-end ferrule, Twin wire-end ferrule, 12 mm, 8 mm, yellow	Multipack bag
GTIN (EAN)	4008190066925		
Qty.	500 pc(s).		
Type	H1,0/19D ZH R SV	Version	Packaging
Order No.	9004760000	Wire-end ferrule, Twin wire-end ferrule, 16 mm, 12 mm, red	Multipack bag
GTIN (EAN)	4008190160951		
Qty.	500 pc(s).		
Type	H1,0/19 ZH GE SV	Version	Packaging
Order No.	9004910000	Wire-end ferrule, Twin wire-end ferrule, 16 mm, 12 mm, yellow	Multipack bag
GTIN (EAN)	4008190482688		
Qty.	500 pc(s).		

PZ 6 ROTO

Weidmüller Interface GmbH & Co. KG
 Klingenbergstraße 26
 D-32758 Detmold
 Germany

www.weidmueller.com

Accessories

supplied loose in polybag

- In multi-pack bag
- Weidmüller colour code



General ordering data

Type	H1,5/24 XS SW	Version	Packaging
Order No.	9202870000	Wire-end ferrule, Standard, 18 mm, 14.5 mm, black	loose
GTIN (EAN)	4032248517947		
Qty.	100 pc(s).		

packed loose in polythene bag

- supplied loose in poly-bag
- Weidmüller colour code
- DIN colour code



General ordering data

Type	H1,5/14D SW	Version	Packaging
Order No.	9019120000	Wire-end ferrule, Standard, 10 mm, 8 mm, black	loose
GTIN (EAN)	4008190153793		
Qty.	500 pc(s).		
Type	H1,5/16 R	Version	Packaging
Order No.	0635100000	Wire-end ferrule, Standard, 12 mm, 10 mm, red	loose
GTIN (EAN)	4008190141745		
Qty.	500 pc(s).		
Type	H1,5/16D SW	Version	Packaging
Order No.	9019130000	Wire-end ferrule, Standard, 12 mm, 10 mm, black	loose
GTIN (EAN)	4008190023331		
Qty.	500 pc(s).		
Type	H1,5/14 R	Version	Packaging
Order No.	0463100000	Wire-end ferrule, Standard, 10 mm, 8 mm, red	loose
GTIN (EAN)	4008190065089		
Qty.	500 pc(s).		
Type	H1,5/24D SW	Version	Packaging
Order No.	9019150000	Wire-end ferrule, Standard, 20 mm, 18 mm, black	loose
GTIN (EAN)	4008190151676		
Qty.	500 pc(s).		

PZ 6 ROTO

Weidmüller Interface GmbH & Co. KG
 Klingenbergstraße 26
 D-32758 Detmold
 Germany

www.weidmueller.com

Accessories

Type	H1,5/24 R	Version	Packaging
Order No.	056560000	Wire-end ferrule, Standard, 20 mm, 18 mm, red	loose
GTIN (EAN)	4008190187071		
Qty.	500 pc(s).		
Type	H1,5/18D SW	Version	Packaging
Order No.	901914000	Wire-end ferrule, Standard, 15 mm, 12 mm, black	loose
GTIN (EAN)	4008190046026		
Qty.	500 pc(s).		

Strip of wire end ferrules on reel



- Linked wire-end ferrules on reel (5,000 pcs.)
- DIN colour code
- other colour code

General ordering data

Type	H2,5/14T GR BD GSP	Version	Packaging
Order No.	900591000	Wire-end ferrule, Standard, 10 mm, 8 mm, grey	Reel
GTIN (EAN)	4008190275976		
Qty.	3,000 pc(s).		
Type	H2,5/14D BL BD GSP	Version	Packaging
Order No.	900585000	Wire-end ferrule, Standard, 10 mm, 8 mm, blue	Reel
GTIN (EAN)	4008190275914		
Qty.	3,000 pc(s).		

Multi-bag



- in multi-pack bag (5 x 100 pcs.)
- Weidmüller colour code
- DIN colour code

General ordering data

Type	H0,5/16 OR SV	Version	Packaging
Order No.	902827000	Wire-end ferrule, Standard, 12 mm, 10 mm, orange	Multipack bag
GTIN (EAN)	4008190902049		
Qty.	500 pc(s).		
Type	H0,5/14 OR SV	Version	Packaging
Order No.	902606000	Wire-end ferrule, Standard, 10 mm, 8 mm, orange	Multipack bag
GTIN (EAN)	4008190122201		
Qty.	500 pc(s).		

Creation date September 9, 2021 7:01:37 AM CEST

PZ 6 ROTO**Weidmüller Interface GmbH & Co. KG**

Klingenbergstraße 26

D-32758 Detmold

Germany

www.weidmueller.com

Accessories

Type	H0,5/12 OR SV	Version	Packaging
Order No.	9028260000	Wire-end ferrule, Standard, 8 mm, 6 mm, orange	Multipack bag
GTIN (EAN)	4008190902025		
Qty.	500 pc(s).		
Type	H0,5/14D W SV	Version	Packaging
Order No.	9019400000	Wire-end ferrule, Standard, 10 mm, 8 mm, white	Multipack bag
GTIN (EAN)	4008190066024		
Qty.	500 pc(s).		

supplied loose in polybag

- Polypropylene conical cable entry funnel
- Heat-resistant up to 105°C

For conductors from 0.5 – 10.0 mm² (AWG 20-7)

Material: E-Cu, tin galvanised

Dimensional tolerance acc. to DIN 46228 sect. 4

General ordering data

Type	H0,75/14TS HBL	Version	Packaging
Order No.	9018550000	Wire-end ferrule, Standard, 10 mm, 8 mm, Light Blue	loose
GTIN (EAN)	4008190207991		
Qty.	500 pc(s).		
Type	H0,75/19DS ZH GR	Version	Packaging
Order No.	9202830000	Wire-end ferrule, Twin wire-end ferrule, 21 mm, 12 mm, grey	loose
GTIN (EAN)	4032248515776		
Qty.	500 pc(s).		
Type	H0,75/19TS ZH HBL	Version	Packaging
Order No.	9202840000	Wire-end ferrule, Twin wire-end ferrule, 16 mm, 12 mm, Light Blue	loose
GTIN (EAN)	4032248515783		
Qty.	500 pc(s).		
Type	H0,75/19S ZH W	Version	Packaging
Order No.	9202820000	Wire-end ferrule, Twin wire-end ferrule, 21 mm, 12 mm, white	loose
GTIN (EAN)	4032248515769		
Qty.	500 pc(s).		
Type	H0,75/14DS GR	Version	Packaging
Order No.	9028580000	Wire-end ferrule, Standard, 10 mm, 8 mm, grey	loose
GTIN (EAN)	4032248159475		
Qty.	500 pc(s).		
Type	H0,75/15S W	Version	Packaging
Order No.	9204240000	Wire-end ferrule, Standard, 10 mm, 9 mm, Light Blue	loose
GTIN (EAN)	4032248621545		
Qty.	500 pc(s).		
Type	H0,75/14S W	Version	Packaging
Order No.	9025960000	Wire-end ferrule, Standard, 10 mm, 8 mm, white	loose
GTIN (EAN)	4008190009878		
Qty.	500 pc(s).		

Creation date September 9, 2021 7:01:37 AM CEST

Catalogue status 27.08.2021 / We reserve the right to make technical changes.

17

PZ 6 ROTO

Weidmüller Interface GmbH & Co. KG
 Klingenbergstraße 26
 D-32758 Detmold
 Germany

www.weidmueller.com

Accessories

Multi-bag



- in multipack bag (5 x 100 pcs.)
- Weidmüller colour code
- DIN colour code

General ordering data

Type	H0,5/14 ZH OR SV	Version	Packaging
Order No.	9004440000	Wire-end ferrule, Twin wire-end ferrule, 11 mm, 8 mm, orange	Multipack bag
GTIN (EAN)	4008190198473		
Qty.	500 pc(s).		
Type	H0,5/14D ZH W SV	Version	Packaging
Order No.	9004780000	Wire-end ferrule, Twin wire-end ferrule, 11 mm, 8 mm, white	Multipack bag
GTIN (EAN)	4008190188481		
Qty.	500 pc(s).		

in multipack bag



- Polypropylene conical cable entry
- Heat-resistant up to 105°C

for conductors from 1.5 to 16 mm² (AWG 16-6)
 tin-plated copper
 dimensional tolerances to DIN 46228 part 4

General ordering data

Type	H6,0/23X GE SV	Version	Packaging
Order No.	9006790000	Wire-end ferrule, Standard, 17 mm, 12 mm, yellow	Multipack bag
GTIN (EAN)	4008190332303		
Qty.	100 pc(s).		

PZ 6 ROTO

Weidmüller Interface GmbH & Co. KG
 Klingenbergstraße 26
 D-32758 Detmold
 Germany

www.weidmueller.com

Accessories

Multi-bag



- in multi-pack bag (5 x 100 pcs.)
- Weidmüller colour code
- DIN colour code

General ordering data

Type	H1,5/16D ZH SW SV	Version	Packaging
Order No.	9004420000	Wire-end ferrule, Twin wire-end ferrule, 11 mm, 8 mm, black	Multipack bag
GTIN (EAN)	4008190167455		
Qty.	500 pc(s).		
Type	H1,5/16 ZH R SV	Version	Packaging
Order No.	9004410000	Wire-end ferrule, Twin wire-end ferrule, 11 mm, 8 mm, red	Multipack bag
GTIN (EAN)	4008190009397		
Qty.	500 pc(s).		
Type	H1,5/20D SW ZH SV	Version	Packaging
Order No.	9004750000	Wire-end ferrule, Twin wire-end ferrule, 15 mm, 12 mm, black	Multipack bag
GTIN (EAN)	4008190055431		
Qty.	500 pc(s).		
Type	H1,5/20 ZH R SV	Version	Packaging
Order No.	9004920000	Wire-end ferrule, Twin wire-end ferrule, 15 mm, 12 mm, red	Multipack bag
GTIN (EAN)	4008190482695		
Qty.	500 pc(s).		

Strip of wire end ferrules



- Linked of wire-end ferrule strips (50 pcs.)
- Weidmüller colour code
- DIN colour code

General ordering data

Type	H0,5/14T W BD	Version	Packaging
Order No.	9021930000	Wire-end ferrule, Standard, 10 mm, 8 mm, white	Reel packaged
GTIN (EAN)	4008190262402		
Qty.	500 pc(s).		
Type	H0,5/14D W BD	Version	Packaging
Order No.	9004280000	Wire-end ferrule, Standard, 10 mm, 8 mm, white	Reel packaged
GTIN (EAN)	4008190162627		
Qty.	500 pc(s).		

Creation date September 9, 2021 7:01:37 AM CEST

PZ 6 ROTO

Weidmüller Interface GmbH & Co. KG

Klingenbergstraße 26

D-32758 Detmold

Germany

www.weidmueller.com

Accessories

Type	H0,5/14 OR BD	Version	Packaging
Order No.	9004270000	Wire-end ferrule, Standard, 10 mm, 8 mm, orange	Reel
GTIN (EAN)	4008190091774		packaged
Qty.	500 pc(s).		

Strip of wire end ferrules



- Linked of wire-end ferrule strips (50 pcs.)
- Weidmüller colour code
- DIN colour code
- other colour code

General ordering data

Type	H0,75/14 W BD	Version	Packaging
Order No.	9004290000	Wire-end ferrule, Standard, 10 mm, 8 mm, white	Reel
GTIN (EAN)	4008190006778		packaged
Qty.	500 pc(s).		
Type	H0,75/14T HBL BD	Version	Packaging
Order No.	9004310000	Wire-end ferrule, Standard, 10 mm, 8 mm, Light Blue	Reel
GTIN (EAN)	4008190179298		packaged
Qty.	500 pc(s).		
Type	H0,75/14D GR BD	Version	Packaging
Order No.	9004300000	Wire-end ferrule, Standard, 10 mm, 8 mm, grey	Reel
GTIN (EAN)	4008190154837		packaged
Qty.	500 pc(s).		

supplied loose in polybag



- Polypropylene conical cable entry funnel
- Heat-resistant up to 105°C

For conductors from 0.5 – 10.0 mm² (AWG 20-7)

Material: E-Cu, tin galvanised

Dimensional tolerance acc. to DIN 46228 sect. 4

General ordering data

Type	H1,0/14S R	Version	Packaging
Order No.	9018560000	Wire-end ferrule, Standard, 10 mm, 8 mm, red	loose
GTIN (EAN)	4008190207984		
Qty.	500 pc(s).		
Type	H1,0/15S ZH GE	Version	Packaging
Order No.	9018690000	Wire-end ferrule, Twin wire-end ferrule, 12 mm, 8 mm, yellow	loose
GTIN (EAN)	4032248017720		
Qty.	500 pc(s).		

Creation date September 9, 2021 7:01:37 AM CEST

Catalogue status 27.08.2021 / We reserve the right to make technical changes.

20

PZ 6 ROTO**Weidmüller Interface GmbH & Co. KG**

Klingenbergstraße 26

D-32758 Detmold

Germany

www.weidmueller.com

Accessories

Type	H1,0/22DS R ZH	Version	Packaging
Order No.	9036330000	Wire-end ferrule, Twin wire-end ferrule, 21 mm, 14 mm, red, Dark Blue	loose
GTIN (EAN)	4032248338566		
Qty.	500 pc(s).		
Type	H1,0/14S GE	Version	Packaging
Order No.	9025970000	Wire-end ferrule, Standard, 10 mm, 8 mm, yellow	loose
GTIN (EAN)	4008190063733		
Qty.	500 pc(s).		

Multi-bag

- In multi-pack bag
- Weidmüller colour code
- Other colour code

General ordering data

Type	H4,0/18T OR SV	Version	Packaging
Order No.	9021250000	Wire-end ferrule, Standard, 12 mm, 10 mm, orange	Multipack bag
GTIN (EAN)	4008190159313		
Qty.	250 pc(s).		
Type	H4,0/18 GR SV	Version	Packaging
Order No.	9026010000	Wire-end ferrule, Standard, 12 mm, 10 mm, grey	Multipack bag
GTIN (EAN)	4008190117382		
Qty.	250 pc(s).		

Conductor nom. cross-section 6.0mm²

- supplied loose in poly-bag
- Weidmüller colour code
- DIN colour code
- other colour code

General ordering data

Type	H6,0/20 SW	Version	Packaging
Order No.	0533500000	Wire-end ferrule, Standard, 14 mm, 12 mm, black	loose
GTIN (EAN)	4008190183905		
Qty.	100 pc(s).		
Type	H6,0/20D GE	Version	Packaging
Order No.	9019220000	Wire-end ferrule, Standard, 14 mm, 12 mm, yellow	loose
GTIN (EAN)	4008190151607		
Qty.	100 pc(s).		

Creation date September 9, 2021 7:01:37 AM CEST

PZ 6 ROTO

Weidmüller Interface GmbH & Co. KG
 Klingenbergstraße 26
 D-32758 Detmold
 Germany

www.weidmueller.com

Accessories

Type	H6,0/26D GE	Version	Packaging
Order No.	9019230000	Wire-end ferrule, Standard, 20 mm, 18 mm, yellow	loose
GTIN (EAN)	4008190072117		
Qty.	100 pc(s).		
Type	H6,0/26 SW	Version	Packaging
Order No.	0565700000	Wire-end ferrule, Standard, 20 mm, 18 mm, black	loose
GTIN (EAN)	4008190026837		
Qty.	100 pc(s).		
Type	H6,0/26T GN	Version	Packaging
Order No.	9021140000	Wire-end ferrule, Standard, 20 mm, 18 mm, green	loose
GTIN (EAN)	4008190022501		
Qty.	100 pc(s).		
Type	H6,0/20T GN	Version	Packaging
Order No.	9021130000	Wire-end ferrule, Standard, 14 mm, 12 mm, green	loose
GTIN (EAN)	4008190111731		
Qty.	100 pc(s).		

Assortment of twin wire end ferrules



Box filled with twin wire end ferrules with plastic collar:
 • in Weidmüller colour code

General ordering data

Type	ZH-BOX 0,5-2,5QMM	Version	Packaging
Order No.	9025390000	Assortment of wire end ferrules, Box, Colour code: Weidmüller	Box
GTIN (EAN)	4008190341015		
Qty.	1 pc(s).		

Multi-bag



- in multipack bag (5 x 100 pcs.)
- Weidmüller colour code
- DIN colour code
- other colour code

General ordering data

Type	H0,75/15T ZH BL SV	Version	Packaging
Order No.	9018570000	Wire-end ferrule, Twin wire-end ferrule, 11 mm, 8 mm, Light Blue	Multipack bag
GTIN (EAN)	4008190272630		
Qty.	500 pc(s).		

Creation date September 9, 2021 7:01:37 AM CEST

Catalogue status 27.08.2021 / We reserve the right to make technical changes.

PZ 6 ROTO**Weidmüller Interface GmbH & Co. KG**

Klingenbergstraße 26

D-32758 Detmold

Germany

www.weidmueller.com

Accessories

Type	H0,75/16T ZH HBL SV	Version	Packaging
Order No.	9005140000	Wire-end ferrule, Twin wire-end ferrule, 13 mm, 10 mm, Light Blue	Multipack bag
GTIN (EAN)	4008190482725		
Qty.	500 pc(s).		
Type	H0,75/14 ZH W SV	Version	Packaging
Order No.	9018510000	Wire-end ferrule, Twin wire-end ferrule, 11 mm, 8 mm, white	Multipack bag
GTIN (EAN)	4008190019914		
Qty.	500 pc(s).		
Type	H0,75/16D ZH GR SV	Version	Packaging
Order No.	9004770000	Wire-end ferrule, Twin wire-end ferrule, 13 mm, 10 mm, grey	Multipack bag
GTIN (EAN)	4008190038816		
Qty.	500 pc(s).		
Type	H0,75/14D ZH GR SV	Version	Packaging
Order No.	9018520000	Wire-end ferrule, Twin wire-end ferrule, 11 mm, 8 mm, grey	Multipack bag
GTIN (EAN)	4008190097998		
Qty.	500 pc(s).		
Type	H0,75/16 ZH W SV	Version	Packaging
Order No.	9004900000	Wire-end ferrule, Twin wire-end ferrule, 13 mm, 10 mm, white	Multipack bag
GTIN (EAN)	4008190482671		
Qty.	500 pc(s).		

Multi-bag

- in multi-pack bag (5 x 100 pcs.)
- DIN colour code
- other colour code

General ordering data

Type	H2,5/21D ZH BL SV	Version	Packaging
Order No.	9004740000	Wire-end ferrule, Twin wire-end ferrule, 15 mm, 12 mm, blue	Multipack bag
GTIN (EAN)	4008190031923		
Qty.	250 pc(s).		
Type	H2,5/19D ZH BL SV	Version	Packaging
Order No.	9004430000	Wire-end ferrule, Twin wire-end ferrule, 13 mm, 10 mm, blue	Multipack bag
GTIN (EAN)	4008190099367		
Qty.	250 pc(s).		
Type	H2,5/21 ZH GR SV	Version	Packaging
Order No.	9005150000	Wire-end ferrule, Twin wire-end ferrule, 15 mm, 12 mm, grey	Multipack bag
GTIN (EAN)	4008190482732		
Qty.	250 pc(s).		
Type	H2,5/19T ZH GR SV	Version	Packaging
Order No.	9018580000	Wire-end ferrule, Twin wire-end ferrule, 13 mm, 10 mm, grey	Multipack bag
GTIN (EAN)	4008190272647		
Qty.	250 pc(s).		

Creation date September 9, 2021 7:01:37 AM CEST

Catalogue status 27.08.2021 / We reserve the right to make technical changes.

23

PZ 6 ROTO

Weidmüller Interface GmbH & Co. KG
 Klingenbergstraße 26
 D-32758 Detmold
 Germany

www.weidmueller.com

Accessories

Multi-bag



- in multi-pack bag (5 x 100 pcs.)
- Weidmüller colour code
- DIN colour code
- other colour code

General ordering data

Type	H6,0/23D ZH GE SV	Version	Packaging
Order No.	9004720000	Wire-end ferrule, Twin wire-end ferrule, 20 mm, 12 mm, yellow	Multipack bag
GTIN (EAN)	4008190962210		
Qty.	100 pc(s).		
Type	H6,0/23 ZH SW SV	Version	Packaging
Order No.	9004930000	Wire-end ferrule, Twin wire-end ferrule, 20 mm, 12 mm, black	Multipack bag
GTIN (EAN)	4008190482701		
Qty.	100 pc(s).		
Type	H6,0/23T ZH GN SV	Version	Packaging
Order No.	9005160000	Wire-end ferrule, Twin wire-end ferrule, 20 mm, 12 mm, green	Multipack bag
GTIN (EAN)	4008190482749		
Qty.	100 pc(s).		

Strip of wire end ferrules on reel



- Linked wire-end ferrules on reel (5,000 pcs.)
- Weidmüller colour code
- DIN colour code
- other colour code

General ordering data

Type	H1,5/14S GN BD GSP	Version	Packaging
Order No.	9028370000	Wire-end ferrule, Standard, 10 mm, 8 mm, green	Reel
GTIN (EAN)	4032248318537		
Qty.	5,000 pc(s).		
Type	H1,5/14 R BD GSP	Version	Packaging
Order No.	9005840000	Wire-end ferrule, Standard, 10 mm, 8 mm, red	Reel
GTIN (EAN)	4008190275907		
Qty.	5,000 pc(s).		
Type	H1,5/14D SW BD GSP	Version	Packaging
Order No.	9005890000	Wire-end ferrule, Standard, 10 mm, 8 mm, black	Reel
GTIN (EAN)	4008190275952		
Qty.	5,000 pc(s).		

PZ 6 ROTO

Weidmüller Interface GmbH & Co. KG

Klingenbergstraße 26

D-32758 Detmold

Germany

www.weidmueller.com

Accessories

packed loose in polythene bag



- supplied loose in polybag
- Weidmüller colour code
- DIN colour code

General ordering data

Type	H0,5/16D ZH W	Version	Packaging
Order No.	9037390000	Wire-end ferrule, Twin wire-end ferrule, 13 mm, 10 mm, white	loose
GTIN (EAN)	4008190492878		
Qty.	500 pc(s).		
Type	H0,5/18 ZH OR	Version	Packaging
Order No.	9037220000	Wire-end ferrule, Twin wire-end ferrule, 15 mm, 12 mm, orange	loose
GTIN (EAN)	4008190492694		
Qty.	500 pc(s).		
Type	H0,5/18D ZH W	Version	Packaging
Order No.	9037400000	Wire-end ferrule, Twin wire-end ferrule, 15 mm, 12 mm, white	loose
GTIN (EAN)	4008190492892		
Qty.	500 pc(s).		
Type	H0,5/16 ZH OR	Version	Packaging
Order No.	9037210000	Wire-end ferrule, Twin wire-end ferrule, 13 mm, 10 mm, orange	loose
GTIN (EAN)	4008190492687		
Qty.	500 pc(s).		
Type	H0,5/14D ZH W	Version	Packaging
Order No.	9037380000	Wire-end ferrule, Twin wire-end ferrule, 11 mm, 8 mm, white	loose
GTIN (EAN)	4008190492861		
Qty.	500 pc(s).		
Type	H0,5/14 ZH OR	Version	Packaging
Order No.	9037200000	Wire-end ferrule, Twin wire-end ferrule, 11 mm, 8 mm, orange	loose
GTIN (EAN)	4008190492397		
Qty.	500 pc(s).		

PZ 6 ROTO

Weidmüller Interface GmbH & Co. KG

Klingenbergstraße 26

D-32758 Detmold

Germany

www.weidmueller.com

Accessories

packed loose in polythene bag



- supplied loose in polybag
- Weidmüller colour code
- DIN colour code
- other colour code

General ordering data

Type	H0,75/12 W	Version	Packaging
Order No.	040960000	Wire-end ferrule, Standard, 8 mm, 6 mm, white	loose
GTIN (EAN)	4008190079826		
Qty.	500 pc(s).		
Type	H0,75/18T HBL	Version	Packaging
Order No.	902106000	Wire-end ferrule, Standard, 14 mm, 12 mm, Light Blue	loose
GTIN (EAN)	4008190071158		
Qty.	500 pc(s).		
Type	H0,75/16T HBL	Version	Packaging
Order No.	902105000	Wire-end ferrule, Standard, 12 mm, 10 mm, Light Blue	loose
GTIN (EAN)	4008190096175		
Qty.	500 pc(s).		
Type	H0,75/16 W	Version	Packaging
Order No.	902586000	Wire-end ferrule, Standard, 12 mm, 10 mm, white	loose
GTIN (EAN)	4008190141967		
Qty.	500 pc(s).		
Type	H0,75/18 W	Version	Packaging
Order No.	902591000	Wire-end ferrule, Standard, 14 mm, 12 mm, white	loose
GTIN (EAN)	4008190063702		
Qty.	500 pc(s).		
Type	H0,75/12T HBL	Version	Packaging
Order No.	902103000	Wire-end ferrule, Standard, 8 mm, 6 mm, Light Blue	loose
GTIN (EAN)	4008190152901		
Qty.	500 pc(s).		
Type	H0,75/16D GR	Version	Packaging
Order No.	901905000	Wire-end ferrule, Standard, 12 mm, 10 mm, grey	loose
GTIN (EAN)	4008190033002		
Qty.	500 pc(s).		
Type	H0,75/14D GR	Version	Packaging
Order No.	901904000	Wire-end ferrule, Standard, 10 mm, 8 mm, grey	loose
GTIN (EAN)	4008190099077		
Qty.	500 pc(s).		
Type	H0,75/12D GR	Version	Packaging
Order No.	901903000	Wire-end ferrule, Standard, 8 mm, 6 mm, grey	loose
GTIN (EAN)	4008190127787		
Qty.	500 pc(s).		
Type	H0,75/14 W	Version	Packaging
Order No.	046290000	Wire-end ferrule, Standard, 10 mm, 8 mm, white	loose
GTIN (EAN)	4008190033248		
Qty.	500 pc(s).		

Creation date September 9, 2021 7:01:37 AM CEST

Catalogue status 27.08.2021 / We reserve the right to make technical changes.

26

PZ 6 ROTO

Weidmüller Interface GmbH & Co. KG
 Klingenbergstraße 26
 D-32758 Detmold
 Germany

www.weidmueller.com

Accessories

Type	H0,75/18D GR	Version	Packaging
Order No.	9019060000	Wire-end ferrule, Standard, 14 mm, 12 mm, grey	loose
GTIN (EAN)	4008190049560		
Qty.	500 pc(s).		
Type	H0,75/14T HBL	Version	Packaging
Order No.	9021040000	Wire-end ferrule, Standard, 10 mm, 8 mm, Light Blue	loose
GTIN (EAN)	4008190083168		
Qty.	500 pc(s).		

supplied loose in polybag



- supplied loose in polybag
- Weidmüller colour code

General ordering data

Type	H2,5/24 XS BL	Version	Packaging
Order No.	9202880000	Wire-end ferrule, Standard, 18 mm, 14.5 mm, blue	loose
GTIN (EAN)	4032248517954		
Qty.	100 pc(s).		

supplied loose in polybag



- Polypropylene conical cable entry funnel
- Heat-resistant up to 105°C

For conductors from 0.5 – 10.0 mm² (AWG 20-7)
 Material: E-Cu, tin galvanised
 Dimensional tolerance acc. to DIN 46228 sect. 4

General ordering data

Type	H1,5/14S R	Version	Packaging
Order No.	9025980000	Wire-end ferrule, Standard, 10 mm, 8 mm, red	loose
GTIN (EAN)	4008190080730		
Qty.	500 pc(s).		
Type	H1,5/12S R	Version	Packaging
Order No.	9025690000	Wire-end ferrule, Standard, 8 mm, 6 mm, red	loose
GTIN (EAN)	4008190059439		
Qty.	500 pc(s).		

PZ 6 ROTO

Weidmüller Interface GmbH & Co. KG
 Klingenbergstraße 26
 D-32758 Detmold
 Germany

www.weidmueller.com

Accessories

Type	H1,5/14DS SW	Version	Packaging
Order No.	9025240000	Wire-end ferrule, Standard, 10 mm, 8 mm, black	loose
GTIN (EAN)	4008190085599		
Qty.	500 pc(s).		

Nominal conductor cross-section 0.25 mm² - 6.0 mm²



For conductors from 0.25 to 6,0 mm² (AWG 24 - 10)
 tin-plated copper
 dimensional tolerances to DIN 46228 part 1
 • supplied loose in polybag

General ordering data

Type	H4,0/18	Version	Packaging
Order No.	9004110000	Wire-end ferrule, Standard, 18 mm, 18 mm, No	loose
GTIN (EAN)	4008190148348		
Qty.	500 pc(s).		
Type	H0,25/5	Version	Packaging
Order No.	9018910000	Wire-end ferrule, Standard, 5 mm, 5 mm, No	loose
GTIN (EAN)	4008190068134		
Qty.	1,000 pc(s).		
Type	H1,5/10	Version	Packaging
Order No.	0186500000	Wire-end ferrule, Standard, 10 mm, 10 mm, No	loose
GTIN (EAN)	4008190039592		
Qty.	1,000 pc(s).		
Type	H6,0/10	Version	Packaging
Order No.	9004120000	Wire-end ferrule, Standard, 10 mm, 10 mm, No	loose
GTIN (EAN)	4008190104795		
Qty.	500 pc(s).		
Type	H1,0/6	Version	Packaging
Order No.	0372600000	Wire-end ferrule, Standard, 6 mm, 6 mm, No	loose
GTIN (EAN)	4008190180263		
Qty.	1,000 pc(s).		
Type	H2,5/7	Version	Packaging
Order No.	0373000000	Wire-end ferrule, Standard, 7 mm, 7 mm, No	loose
GTIN (EAN)	4008190173463		
Qty.	1,000 pc(s).		
Type	H4,0/15	Version	Packaging
Order No.	9004100000	Wire-end ferrule, Standard, 15 mm, 15 mm, No	loose
GTIN (EAN)	4008190119003		
Qty.	500 pc(s).		
Type	H6,0/12	Version	Packaging
Order No.	0191900000	Wire-end ferrule, Standard, 12 mm, 12 mm, No	loose
GTIN (EAN)	4008190026851		
Qty.	500 pc(s).		

Creation date September 9, 2021 7:01:37 AM CEST

Catalogue status 27.08.2021 / We reserve the right to make technical changes.

28

PZ 6 ROTO

Weidmüller Interface GmbH & Co. KG

Klingenbergstraße 26

D-32758 Detmold

Germany

www.weidmueller.com

Accessories

Type	H1,5/7	Version	Packaging
Order No.	0372700000	Wire-end ferrule, Standard, 7 mm, 7 mm, No	loose
GTIN (EAN)	4008190064525		
Qty.	1,000 pc(s).		
Type	H4,0/12	Version	Packaging
Order No.	0244100000	Wire-end ferrule, Standard, 12 mm, 12 mm, No	loose
GTIN (EAN)	4008190179830		
Qty.	1,000 pc(s).		
Type	H2,5/12	Version	Packaging
Order No.	0186100000	Wire-end ferrule, Standard, 12 mm, 12 mm, No	loose
GTIN (EAN)	4008190172954		
Qty.	1,000 pc(s).		
Type	H0,75/6	Version	Packaging
Order No.	0282700000	Wire-end ferrule, Standard, 6 mm, 6 mm, No	loose
GTIN (EAN)	4008190019013		
Qty.	1,000 pc(s).		
Type	H1,5/12	Version	Packaging
Order No.	9004060000	Wire-end ferrule, Standard, 12 mm, 12 mm, No	loose
GTIN (EAN)	4008190147938		
Qty.	1,000 pc(s).		
Type	H6,0/18	Version	Packaging
Order No.	9004130000	Wire-end ferrule, Standard, 18 mm, 18 mm, No	loose
GTIN (EAN)	4008190143626		
Qty.	500 pc(s).		
Type	H4,0/9	Version	Packaging
Order No.	0373100000	Wire-end ferrule, Standard, 9 mm, 9 mm, No	loose
GTIN (EAN)	4008190164669		
Qty.	500 pc(s).		
Type	H0,75/10	Version	Packaging
Order No.	0542500000	Wire-end ferrule, Standard, 10 mm, 10 mm, No	loose
GTIN (EAN)	4008190037482		
Qty.	1,000 pc(s).		
Type	H0,5/6	Version	Packaging
Order No.	0282600000	Wire-end ferrule, Standard, 6 mm, 6 mm, No	loose
GTIN (EAN)	4008190184025		
Qty.	1,000 pc(s).		
Type	H1,0/10	Version	Packaging
Order No.	0282800000	Wire-end ferrule, Standard, 10 mm, 10 mm, No	loose
GTIN (EAN)	4008190006662		
Qty.	1,000 pc(s).		
Type	H2,5/10	Version	Packaging
Order No.	9004080000	Wire-end ferrule, Standard, 10 mm, 10 mm, No	loose
GTIN (EAN)	4008190145446		
Qty.	1,000 pc(s).		
Type	H0,5/10	Version	Packaging
Order No.	9004050000	Wire-end ferrule, Standard, 10 mm, 10 mm, No	loose
GTIN (EAN)	4008190153052		
Qty.	1,000 pc(s).		
Type	H1,5/18	Version	Packaging
Order No.	9004070000	Wire-end ferrule, Standard, 18 mm, 18 mm, No	loose
GTIN (EAN)	4008190105761		
Qty.	1,000 pc(s).		

Creation date September 9, 2021 7:01:37 AM CEST

PZ 6 ROTO

Weidmüller Interface GmbH & Co. KG

Klingenbergstraße 26

D-32758 Detmold

Germany

www.weidmueller.com

Accessories

Type	H2,5/18	Version	Packaging
Order No.	9004090000	Wire-end ferrule, Standard, 18 mm, 18 mm, No	loose
GTIN (EAN)	4008190147921		
Qty.	1,000 pc(s).		
Type	H6,0/15	Version	Packaging
Order No.	0124700000	Wire-end ferrule, Standard, 15 mm, 15 mm, No	loose
GTIN (EAN)	4008190003807		
Qty.	500 pc(s).		

packed loose in polythene bag



For the following conductors: 2 No. 0.75 mm² (2 No. AWG 18)

- supplied loose in poly-bag
- Weidmüller colour code
- DIN colour code
- other colour code

General ordering data

Type	H0,75/14T ZH HBL	Version	Packaging
Order No.	9037610000	Wire-end ferrule, Twin wire-end ferrule, 11 mm, 8 mm, Light Blue	loose
GTIN (EAN)	4008190493233		
Qty.	500 pc(s).		
Type	H0,75/16 ZH W	Version	Packaging
Order No.	9037240000	Wire-end ferrule, Twin wire-end ferrule, 13 mm, 10 mm, white	loose
GTIN (EAN)	4008190492717		
Qty.	500 pc(s).		
Type	H0,75/16D ZH GR	Version	Packaging
Order No.	9037420000	Wire-end ferrule, Twin wire-end ferrule, 13 mm, 10 mm, grey	loose
GTIN (EAN)	4008190492991		
Qty.	500 pc(s).		
Type	H0,75/24 ZH W	Version	Packaging
Order No.	9037250000	Wire-end ferrule, Twin wire-end ferrule, 21 mm, 18 mm, white	loose
GTIN (EAN)	4008190492724		
Qty.	500 pc(s).		
Type	H0,75/16T ZH HBL	Version	Packaging
Order No.	9037620000	Wire-end ferrule, Twin wire-end ferrule, 13 mm, 10 mm, Light Blue	loose
GTIN (EAN)	4008190493264		
Qty.	500 pc(s).		
Type	H0,75/24T ZH HBL	Version	Packaging
Order No.	9037630000	Wire-end ferrule, Twin wire-end ferrule, 21 mm, 18 mm, Light Blue	loose
GTIN (EAN)	4008190493271		
Qty.	500 pc(s).		
Type	H0,75/14D ZH GR	Version	Packaging
Order No.	9037410000	Wire-end ferrule, Twin wire-end ferrule, 11 mm, 8 mm, grey	loose
GTIN (EAN)	4008190492984		
Qty.	500 pc(s).		

Creation date September 9, 2021 7:01:37 AM CEST

Catalogue status 27.08.2021 / We reserve the right to make technical changes.

30

PZ 6 ROTO

Weidmüller Interface GmbH & Co. KG
 Klingenbergstraße 26
 D-32758 Detmold
 Germany

www.weidmueller.com

Accessories

Type	H0,75/24D ZH GR	Version	Packaging
Order No.	9037430000	Wire-end ferrule, Twin wire-end ferrule, 21 mm, 18 mm, grey	loose
GTIN (EAN)	4008190493004		
Qty.	500 pc(s).		
Type	H0,75/14 ZH W	Version	Packaging
Order No.	9037230000	Wire-end ferrule, Twin wire-end ferrule, 11 mm, 8 mm, white	loose
GTIN (EAN)	4008190853976		
Qty.	500 pc(s).		

packed loose in polythene bag

- supplied loose in polybag
- Weidmüller colour code



General ordering data

Type	H0,25/12 HBL	Version	Packaging
Order No.	9025760000	Wire-end ferrule, Standard, 10 mm, 8 mm, Light Blue	loose
GTIN (EAN)	4008190010027		
Qty.	500 pc(s).		
Type	H0,25/10T GE	Version	Packaging
Order No.	9021010000	Wire-end ferrule, Standard, 8 mm, 6 mm, yellow	loose
GTIN (EAN)	4008190109103		
Qty.	500 pc(s).		
Type	H0,25/12T GE	Version	Packaging
Order No.	9021020000	Wire-end ferrule, Standard, 10 mm, 8 mm, yellow	loose
GTIN (EAN)	4008190184230		
Qty.	500 pc(s).		
Type	H0,25/10 HBL	Version	Packaging
Order No.	9025740000	Wire-end ferrule, Standard, 8 mm, 6 mm, Light Blue	loose
GTIN (EAN)	4008190092054		
Qty.	500 pc(s).		

PZ 6 ROTO

Weidmüller Interface GmbH & Co. KG
 Klingenbergstraße 26
 D-32758 Detmold
 Germany

www.weidmueller.com

Accessories

Strip of wire end ferrules on reel



- Linked wire-end ferrules on reel (5,000 pcs.)
- Weidmüller colour code
- DIN colour code

General ordering data

Type	H0,5/14D W BD GSP	Version	Packaging
Order No.	9005860000	Wire-end ferrule, Standard, 10 mm, 8 mm, white	Reel
GTIN (EAN)	4008190275921		
Qty.	5,000 pc(s).		
Type	H0,5/14 OR BD GSP	Version	Packaging
Order No.	9005810000	Wire-end ferrule, Standard, 10 mm, 8 mm, orange	Reel
GTIN (EAN)	4008190275877		
Qty.	5,000 pc(s).		

supplied loose in polybag



- supplied loose in poly-bag
- Weidmüller colour code
- DIN colour code
- other colour code

General ordering data

Type	H0,5/16 DS W	Version	Packaging
Order No.	9202910000	Wire-end ferrule, Standard, 12 mm, 10 mm, white	loose
GTIN (EAN)	4032248519019		
Qty.	500 pc(s).		
Type	H0,5/16S OR	Version	Packaging
Order No.	9202900000	Wire-end ferrule, Standard, 12 mm, 10 mm, orange	loose
GTIN (EAN)	4032248519026		
Qty.	500 pc(s).		
Type	H0,5/14S OR	Version	Packaging
Order No.	9004560000	Wire-end ferrule, Standard, 10 mm, 8 mm, orange	loose
GTIN (EAN)	4008190286132		
Qty.	500 pc(s).		
Type	H0,5/14S W	Version	Packaging
Order No.	9004590000	Wire-end ferrule, Standard, 10 mm, 8 mm, white	loose
GTIN (EAN)	4008190862060		
Qty.	500 pc(s).		

PZ 6 ROTO

Weidmüller Interface GmbH & Co. KG
 Klingenbergstraße 26
 D-32758 Detmold
 Germany

www.weidmueller.com

Accessories

packed loose in polythene bag

- supplied loose in polybag
- Weidmüller colour code



General ordering data

Type	H0,34/10 TK	Version	Packaging
Order No.	9025750000	Wire-end ferrule, Standard, 8 mm, 6 mm, Turquoise	loose
GTIN (EAN)	4008190105365		
Qty.	500 pc(s).		
Type	H0,34/12 TK	Version	Packaging
Order No.	9025770000	Wire-end ferrule, Standard, 10 mm, 8 mm, Turquoise	loose
GTIN (EAN)	4008190067960		
Qty.	500 pc(s).		

in multipack bag

- In multi-pack bag
- Weidmüller colour code



General ordering data

Type	H1,5/19,5X SW SV	Version	Packaging
Order No.	9006630000	Wire-end ferrule, Standard, 15 mm, 10 mm, black	Multipack bag
GTIN (EAN)	4008190332266		
Qty.	100 pc(s).		
Type	H1,5/17,5X SW SV	Version	Packaging
Order No.	9006590000	Wire-end ferrule, Standard, 13 mm, 8 mm, black	Multipack bag
GTIN (EAN)	4008190332259		
Qty.	100 pc(s).		

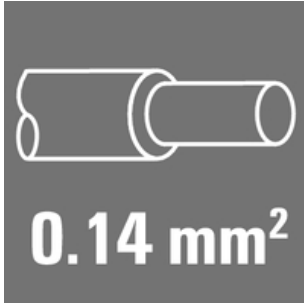
PZ 6 ROTO

Weidmüller Interface GmbH & Co. KG
 Klingenbergstraße 26
 D-32758 Detmold
 Germany

www.weidmueller.com

Accessories

Conductor nom. cross-section 0.14mm²



- Weidmüller colour code
- in multipack bag (5 x 100 pcs.)

General ordering data

Type	H0,14/12 GR SV	Version	Packaging
Order No.	9028240000	Wire-end ferrule, Standard, 10 mm, 8 mm, grey	Multipack bag
GTIN (EAN)	4008190902001		
Qty.	500 pc(s).		
Type	H0,14/10T BR SV	Version	Packaging
Order No.	9028250000	Wire-end ferrule, Standard, 8 mm, 6 mm, brown	Multipack bag
GTIN (EAN)	4008190902018		
Qty.	500 pc(s).		
Type	H0,14/10 GR SV	Version	Packaging
Order No.	9005180000	Wire-end ferrule, Standard, 8 mm, 6 mm, grey	Multipack bag
GTIN (EAN)	4008190859909		
Qty.	500 pc(s).		

Multi-bag



- Polypropylene conical cable entry funnel
- Heat-resistant up to 105°C

For conductors from 0.5 – 10.0 mm² (AWG 20-7)
 Material: E-Cu, tin galvanised
 Dimensional tolerance acc. to DIN 46228 sect. 4

General ordering data

Type	H0,75/14S W SV	Version	Packaging
Order No.	9025700000	Wire-end ferrule, Standard, 10 mm, 8 mm, white	Multipack bag
GTIN (EAN)	4008190144104		
Qty.	500 pc(s).		

PZ 6 ROTO

Weidmüller Interface GmbH & Co. KG
 Klingenbergstraße 26
 D-32758 Detmold
 Germany

www.weidmueller.com

Accessories

Multi-bag



- Polypropylene conical cable entry funnel
- Heat-resistant up to 105°C

For conductors from 0.5 – 10.0 mm² (AWG 20-7)
 Material: E-Cu, tin galvanised
 Dimensional tolerance acc. to DIN 46228 sect. 4

General ordering data

Type	H1,0/15S ZH GE SV	Version	Packaging
Order No.	9018650000	Wire-end ferrule, Twin wire-end ferrule, 12 mm, 8 mm, yellow	Multipack bag
GTIN (EAN)	4032248011407		
Qty.	500 pc(s).		
Type	H1,0/14S GE SV	Version	Packaging
Order No.	9025710000	Wire-end ferrule, Standard, 10 mm, 8 mm, yellow	Multipack bag
GTIN (EAN)	4008190031442		
Qty.	500 pc(s).		

packed loose in polythene bag



- supplied loose in polybag
- Weidmüller colour code
- DIN colour code

General ordering data

Type	H1,0/16 GE	Version	Packaging
Order No.	9025950000	Wire-end ferrule, Standard, 12 mm, 10 mm, yellow	loose
GTIN (EAN)	4008190037291		
Qty.	500 pc(s).		
Type	H1,0/12 GE	Version	Packaging
Order No.	0409700000	Wire-end ferrule, Standard, 8 mm, 6 mm, yellow	loose
GTIN (EAN)	4008190152222		
Qty.	500 pc(s).		
Type	H1,0/18 GE	Version	Packaging
Order No.	9025930000	Wire-end ferrule, Standard, 15 mm, 12 mm, yellow	loose
GTIN (EAN)	4008190101497		
Qty.	500 pc(s).		
Type	H1,0/16D R	Version	Packaging
Order No.	9019100000	Wire-end ferrule, Standard, 12 mm, 10 mm, red	loose
GTIN (EAN)	4008190159986		
Qty.	500 pc(s).		

PZ 6 ROTO

Weidmüller Interface GmbH & Co. KG
 Klingenbergstraße 26
 D-32758 Detmold
 Germany

www.weidmueller.com

Accessories

Type	H1,0/14D R	Version	Packaging
Order No.	9019080000	Wire-end ferrule, Standard, 10 mm, 8 mm, red	loose
GTIN (EAN)	4008190090623		
Qty.	500 pc(s).		
Type	H1,0/18D R	Version	Packaging
Order No.	9019110000	Wire-end ferrule, Standard, 15 mm, 12 mm, red	loose
GTIN (EAN)	4008190174828		
Qty.	500 pc(s).		
Type	H1,0/12D R	Version	Packaging
Order No.	9019070000	Wire-end ferrule, Standard, 8 mm, 6 mm, red	loose
GTIN (EAN)	4008190029074		
Qty.	500 pc(s).		
Type	H1,0/14 GE	Version	Packaging
Order No.	0463000000	Wire-end ferrule, Standard, 10 mm, 8 mm, yellow	loose
GTIN (EAN)	4008190024697		
Qty.	500 pc(s).		

Strip of wire end ferrules



- Linked of wire-end ferrule strips (50 pcs.)
- Weidmüller colour code
- DIN colour code

General ordering data

Type	H1,5/14D SW BD	Version	Packaging
Order No.	9004350000	Wire-end ferrule, Standard, 10 mm, 8 mm, black	Reel
GTIN (EAN)	4008190005474		packaged
Qty.	500 pc(s).		
Type	H1,5/14 R BD	Version	Packaging
Order No.	9004340000	Wire-end ferrule, Standard, 10 mm, 8 mm, red	Reel
GTIN (EAN)	4008190080723		packaged
Qty.	500 pc(s).		
Type	H1,5/14T SW BD	Version	Packaging
Order No.	9021960000	Wire-end ferrule, Standard, 10 mm, 8 mm, black	Reel
GTIN (EAN)	4008190262389		packaged
Qty.	500 pc(s).		

PZ 6 ROTO

Weidmüller Interface GmbH & Co. KG

Klingenbergstraße 26

D-32758 Detmold

Germany

www.weidmueller.com

Accessories

packed loose in polythene bag



- supplied loose in poly-bag
- Weidmüller colour code
- DIN colour code

General ordering data

Type	H1,5/20 ZH R	Version	Packaging
Order No.	9037300000	Wire-end ferrule, Twin wire-end ferrule, 15 mm, 12 mm, red	loose
GTIN (EAN)	4008190492779		
Qty.	500 pc(s).		
Type	H1,5/20D ZH SW	Version	Packaging
Order No.	9037480000	Wire-end ferrule, Twin wire-end ferrule, 15 mm, 12 mm, black	loose
GTIN (EAN)	4008190493059		
Qty.	500 pc(s).		
Type	H1,5/26D ZH SW	Version	Packaging
Order No.	9037490000	Wire-end ferrule, Twin wire-end ferrule, 21 mm, 18 mm, black	loose
GTIN (EAN)	4008190493066		
Qty.	100 pc(s).		
Type	H1,5/26 ZH R	Version	Packaging
Order No.	9037310000	Wire-end ferrule, Twin wire-end ferrule, 21 mm, 18 mm, red	loose
GTIN (EAN)	4008190492786		
Qty.	100 pc(s).		
Type	H1,5/16 ZH R	Version	Packaging
Order No.	9037290000	Wire-end ferrule, Twin wire-end ferrule, 11 mm, 8 mm, red, Dark Blue	loose
GTIN (EAN)	4008190492762		
Qty.	500 pc(s).		
Type	H1,5/16D ZH SW	Version	Packaging
Order No.	9037470000	Wire-end ferrule, Twin wire-end ferrule, 11 mm, 8 mm, black	loose
GTIN (EAN)	4008190493042		
Qty.	500 pc(s).		

PZ 6 ROTO

Weidmüller Interface GmbH & Co. KG
 Klingenbergstraße 26
 D-32758 Detmold
 Germany

www.weidmueller.com

Accessories

Multi-bag



- in multipack bag (5 x 100 pcs.)
- Weidmüller colour code

General ordering data

Type	H0,34/10 TK SV	Version	Packaging
Order No.	9026030000	Wire-end ferrule, Standard, 8 mm, 6 mm, Turquoise	Multipack bag
GTIN (EAN)	4008190177171		
Qty.	500 pc(s).		
Type	H0,34/12 TK SV	Version	Packaging
Order No.	9025790000	Wire-end ferrule, Standard, 10 mm, 8 mm, Turquoise	Multipack bag
GTIN (EAN)	4008190121174		
Qty.	500 pc(s).		

supplied loose in polybag



- In multi-pack bag
- Weidmüller colour code
- DIN colour code

General ordering data

Type	H0,34/11 S TK	Version	Packaging
Order No.	9204090000	Wire-end ferrule, Standard, 6 mm, 6 mm, Turquoise	loose
GTIN (EAN)	4032248593026		
Qty.	500 pc(s).		

PZ 6 ROTO

Weidmüller Interface GmbH & Co. KG
 Klingenbergstraße 26
 D-32758 Detmold
 Germany

www.weidmueller.com

Accessories

Accessories / replacement parts



Crimping tools for wire end ferrules, with and without plastic collars

- Ratchet guarantees precise crimping
- Release option in the event of incorrect operation

General ordering data

Type ERTE ES PZ 6 ROTO
 Order No. [9014480000](#)
 GTIN (EAN) 4008190877385
 Qty. 1 pc(s).

Type ERSATZTEILSET CLIP PZ 6 ...
 Order No. [9054820000](#)
 GTIN (EAN) 4032248109289
 Qty. 1 pc(s).

packed loose in polythene bag



- supplied loose in poly-bag
- DIN colour code
- other colour code

General ordering data

Type	Version	Packaging
H2,5/21D ZH BL	Wire-end ferrule, Twin wire-end ferrule, 15 mm, 12 mm, blue	loose
Order No. 9037510000		
GTIN (EAN) 4008190493080		
Qty. 100 pc(s).		
H2,5/21T ZH GR	Wire-end ferrule, Twin wire-end ferrule, 15 mm, 12 mm, grey	loose
Order No. 9037650000		
GTIN (EAN) 4008190493356		
Qty. 100 pc(s).		
H2,5/19D ZH BL	Wire-end ferrule, Twin wire-end ferrule, 13 mm, 10 mm, blue	loose
Order No. 9037500000		
GTIN (EAN) 4008190493073		
Qty. 500 pc(s).		
H2,5/19T ZH GR	Wire-end ferrule, Twin wire-end ferrule, 13 mm, 10 mm, grey	loose
Order No. 9037640000		
GTIN (EAN) 4008190493325		
Qty. 500 pc(s).		

PZ 6 ROTO

Weidmüller Interface GmbH & Co. KG
Klingenbergstraße 26
D-32758 Detmold
Germany

www.weidmueller.com

Accessories

Type	H2,5/27D ZH BL	Version	Packaging
Order No.	9037520000	Wire-end ferrule, Twin wire-end ferrule, 21 mm, 18 mm, blue	loose
GTIN (EAN)	4008190493097		
Qty.	100 pc(s).		
Type	H2,5/27T ZH GR	Version	Packaging
Order No.	9037660000	Wire-end ferrule, Twin wire-end ferrule, 21 mm, 18 mm, grey	loose
GTIN (EAN)	4008190493387		
Qty.	100 pc(s).		

Strip of wire end ferrules on reel



- Linked wire-end ferrules on reel (5,000 pcs.)
- Weidmüller colour code
- DIN colour code
- other colour code

General ordering data

Type	H1,0/14D R BD GSP	Version	Packaging
Order No.	9005880000	Wire-end ferrule, Standard, 10 mm, 8 mm, red	Reel
GTIN (EAN)	4008190275945		
Qty.	5,000 pc(s).		
Type	H1,0/14 GE BD GSP	Version	Packaging
Order No.	9005830000	Wire-end ferrule, Standard, 10 mm, 8 mm, yellow	Reel
GTIN (EAN)	4008190275891		
Qty.	5,000 pc(s).		

Multi-bag



- Polypropylene conical cable entry funnel
- Heat-resistant up to 105°C

For conductors from 0.5 – 10.0 mm² (AWG 20-7)
Material: E-Cu, tin galvanised
Dimensional tolerance acc. to DIN 46228 sect. 4

General ordering data

Type	H1,5/14S R SV	Version	Packaging
Order No.	9025720000	Wire-end ferrule, Standard, 10 mm, 8 mm, red	Multipack bag
GTIN (EAN)	4008190072681		
Qty.	500 pc(s).		

PZ 6 ROTO

Weidmüller Interface GmbH & Co. KG
Klingenbergstraße 26
D-32758 Detmold
Germany

www.weidmueller.com

Accessories

Assortment of wire end ferrules with plastic collar



Box filled with wire end ferrules with plastic collar:

- in Weidmüller colour code
- DIN colour code

General ordering data

Type	H-BOX 0,5-2,5QMM	Version	Packaging
Order No.	902590000	Assortment of wire end ferrules, Box, Colour code: Weidmüller	Box
GTIN (EAN)	4008190109202		
Qty.	1 pc(s).		
Type	H-BOX 0,14-0,75QMM	Version	Packaging
Order No.	902541000	Assortment of wire end ferrules, Box, Colour code: Weidmüller	Box
GTIN (EAN)	4008190341602		
Qty.	1 pc(s).		
Type	H-BOX 0,5-2,5QMM DIN	Version	Packaging
Order No.	902543000	Assortment of wire end ferrules, Box, Colour code: DIN	Box
GTIN (EAN)	4008190337162		
Qty.	1 pc(s).		
Type	H-BOX 4,0-16,0QMM	Version	Packaging
Order No.	902592000	Assortment of wire end ferrules, Box, Colour code: Weidmüller	Box
GTIN (EAN)	4008190101442		
Qty.	1 pc(s).		
Type	H-BOX 4,0-16,0QMM DIN	Version	Packaging
Order No.	902540000	Assortment of wire end ferrules, Box, Colour code: DIN	Box
GTIN (EAN)	4008190341596		
Qty.	1 pc(s).		

packed loose in polythene bag



- supplied loose in poly-bag
- DIN colour code
- other colour code

General ordering data

Type	H4,0/22D ZH GR	Version	Packaging
Order No.	903753000	Wire-end ferrule, Twin wire-end ferrule, 15 mm, 12 mm, grey	loose
GTIN (EAN)	4008190493103		
Qty.	100 pc(s).		

Creation date September 9, 2021 7:01:37 AM CEST

Catalogue status 27.08.2021 / We reserve the right to make technical changes.

PZ 6 ROTO

Weidmüller Interface GmbH & Co. KG
 Klingenbergstraße 26
 D-32758 Detmold
 Germany

www.weidmueller.com

Accessories

Type	H4,0/22T ZH OR	Version	Packaging
Order No.	9037670000	Wire-end ferrule, Twin wire-end ferrule, 15 mm, 12 mm, orange	loose
GTIN (EAN)	4008190493431		
Qty.	100 pc(s).		
Type	H4,0/28T ZH OR	Version	Packaging
Order No.	9037680000	Wire-end ferrule, Twin wire-end ferrule, 21 mm, 18 mm, orange	loose
GTIN (EAN)	4008190493479		
Qty.	100 pc(s).		
Type	H4,0/28D ZH GR	Version	Packaging
Order No.	9037540000	Wire-end ferrule, Twin wire-end ferrule, 21 mm, 18 mm, grey	loose
GTIN (EAN)	4008190493110		
Qty.	100 pc(s).		

Multi-bag



- in multi-pack bag (5 x 100 pcs.)
- DIN colour code
- other colour code

General ordering data

Type	H4,0/22D ZH GR SV	Version	Packaging
Order No.	9004730000	Wire-end ferrule, Twin wire-end ferrule, 15 mm, 12 mm, grey	Multipack bag
GTIN (EAN)	4008190161811		
Qty.	100 pc(s).		
Type	H4,0/22T ZH OR SV	Version	Packaging
Order No.	9018590000	Wire-end ferrule, Twin wire-end ferrule, 15 mm, 12 mm, orange	Multipack bag
GTIN (EAN)	4008190272654		
Qty.	100 pc(s).		

in multipack bag



- supplied loose in polybag
- Weidmüller colour code

General ordering data

Type	H2,5/21,5X BL SV	Version	Packaging
Order No.	9006710000	Wire-end ferrule, Standard, 17 mm, 12 mm, blue	Multipack bag
GTIN (EAN)	4008190332280		
Qty.	100 pc(s).		

Creation date September 9, 2021 7:01:37 AM CEST

PZ 6 ROTO

Weidmüller Interface GmbH & Co. KG

Klingenbergstraße 26

D-32758 Detmold

Germany

www.weidmueller.com

Accessories

Type	H2,5/17,5X BL SV	Version	Packaging
Order No.	9006670000	Wire-end ferrule, Standard, 14 mm, 8 mm, blue	Multipack bag
GTIN (EAN)	4008190332273		
Qty.	100 pc(s).		

packed loose in polythene bag



- supplied loose in polybag
- DIN colour code
- other colour code

General ordering data

Type	H4,0/18T OR	Version	Packaging
Order No.	9021100000	Wire-end ferrule, Standard, 12 mm, 10 mm, orange	loose
GTIN (EAN)	4008190061708		
Qty.	500 pc(s).		
Type	H4,0/20T OR	Version	Packaging
Order No.	9021110000	Wire-end ferrule, Standard, 14 mm, 12 mm, orange	loose
GTIN (EAN)	4008190035754		
Qty.	500 pc(s).		
Type	H4,0/26T OR	Version	Packaging
Order No.	9021120000	Wire-end ferrule, Standard, 20 mm, 18 mm, orange	loose
GTIN (EAN)	4008190092825		
Qty.	100 pc(s).		
Type	H4,0/20D GR	Version	Packaging
Order No.	9019200000	Wire-end ferrule, Standard, 14 mm, 12 mm, grey	loose
GTIN (EAN)	4008190126575		
Qty.	500 pc(s).		
Type	H4,0/18D GR	Version	Packaging
Order No.	9019190000	Wire-end ferrule, Standard, 12 mm, 10 mm, grey	loose
GTIN (EAN)	4008190141349		
Qty.	500 pc(s).		
Type	H4,0/26D GR	Version	Packaging
Order No.	9019210000	Wire-end ferrule, Standard, 20 mm, 18 mm, grey	loose
GTIN (EAN)	4008190002336		
Qty.	100 pc(s).		

PZ 6 ROTO

Weidmüller Interface GmbH & Co. KG
 Klingenbergstraße 26
 D-32758 Detmold
 Germany

www.weidmueller.com

Accessories

Multi-bag



- in multi-pack bag (5 x 100 pcs.)
- Weidmüller colour code
- DIN colour code
- other colour code

General ordering data

Type	H2,5/15 BL SV	Version	Packaging
Order No.	9026100000	Wire-end ferrule, Standard, 10 mm, 8 mm, blue	Multipack bag
GTIN (EAN)	4008190141141		
Qty.	500 pc(s).		
Type	H2,5/15T GR SV	Version	Packaging
Order No.	9021240000	Wire-end ferrule, Standard, 10 mm, 8 mm, grey	Multipack bag
GTIN (EAN)	4008190115302		
Qty.	500 pc(s).		
Type	H2,5/14S BL SV	Version	Packaging
Order No.	9046230000	Wire-end ferrule, Standard, 10 mm, 8 mm, blue	Multipack bag
GTIN (EAN)	4032248298631		
Qty.	500 pc(s).		

PZ 6 ROTO

Weidmüller Interface GmbH & Co. KG
 Klingenbergstraße 26
 D-32758 Detmold
 Germany

www.weidmueller.com

Replacement parts

Replacement parts



After stripping the insulation, a suitable contact or wire end ferrule can be crimped onto the end of the cable. Crimping forms a secure connection between conductor and contact and has largely replaced soldering. Crimping denotes the creation of a homogeneous, permanent connection between conductor and connecting element. The connection can be made only with high-quality precision tools. The result is a secure and reliable connection both in mechanical and electrical terms. Weidmüller offers a wide range of mechanical crimping tools. Integral ratchets with release mechanisms guarantee optimum crimping. Crimped connections made with Weidmüller tools comply with international standards and regulations.

General ordering data

Type	ERTE GRIFFE PZ	Version
Order No.	9202810000	Pressing tool, Replacement part
GTIN (EAN)	4032248512577	
Qty.	1 pc(s).	

Accessories / replacement parts



Crimping tools for wire end ferrules, with and without plastic collars

- Ratchet guarantees precise crimping
- Release option in the event of incorrect operation

General ordering data

Type	ERTE ES PZ 6 ROTO
Order No.	9014480000
GTIN (EAN)	4008190877385
Qty.	1 pc(s).
Type	ERSATZTEILSET CLIP PZ 6 ...
Order No.	9054820000
GTIN (EAN)	4032248109289
Qty.	1 pc(s).

Mouser Electronics

Authorized Distributor

Click to View Pricing, Inventory, Delivery & Lifecycle Information:

[Weidmuller:](#)

[9014350000](#)