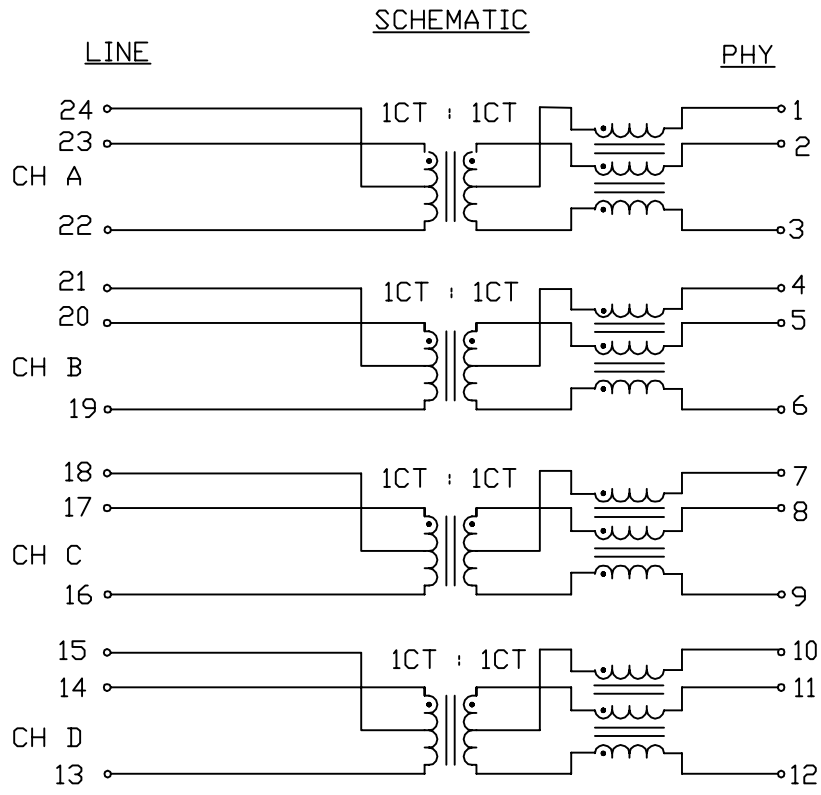


THE INFORMATION CONTAINED HEREIN IS CONSIDERED 'PROPRIETARY' TO BEL FUSE INC. AND SHALL NOT BE COPIED, REPRODUCED OR DISCLOSED WITHOUT THE WRITTEN APPROVAL OF BEL FUSE INC.

ELECTRICAL SPECIFICATION @25°C



TURNS RATIO
 (2-1-3) : (23-24-22)
 (5-4-6) : (20-21-19)
 (8-7-9) : (17-18-16)
 (11-10-12) : (14-15-13)

1CT : 1CT
 1CT : 1CT
 1CT : 1CT
 1CT : 1CT

POLARITY

PER DOT CONVENTION

□CL
 @100kHz, 100mV, 23mA DC BIAS
 @100kHz, 100mV, 8mA DC BIAS

120uH MIN
 180uH MIN

HIPOT

2250VDC

INSERTION LOSS

FREQ(MHz)	1	2-300	400	500
MAX (dB)	0.3	1.0	1.5	2.0

RETURN LOSS
 (100 OHM LINESIDE LOAD)

FREQ(MHz)	1	2-100	200	500	600
MIN (dB)	18	20	15	12	9

COMM. TO DIFF. MODE
 REJECTION

FREQ(MHz)	50	100	200	300	400	500
MAX (dB)	48	42	36	33	30	28

DIFF. TO COMM. MODE
 REJECTION

FREQ(MHz)	50	100	200	300	400	500
MAX (dB)	30	27	24	22	21	20

BALANCED DC LINE CURRENT: 1A MAXIMUM CONTINUOUS @57VDC

DESIGNED FOR EXTENDED TEMPERATURE 10G 100W 802.3BT APPLICATIONS

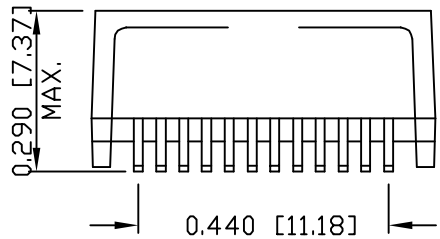
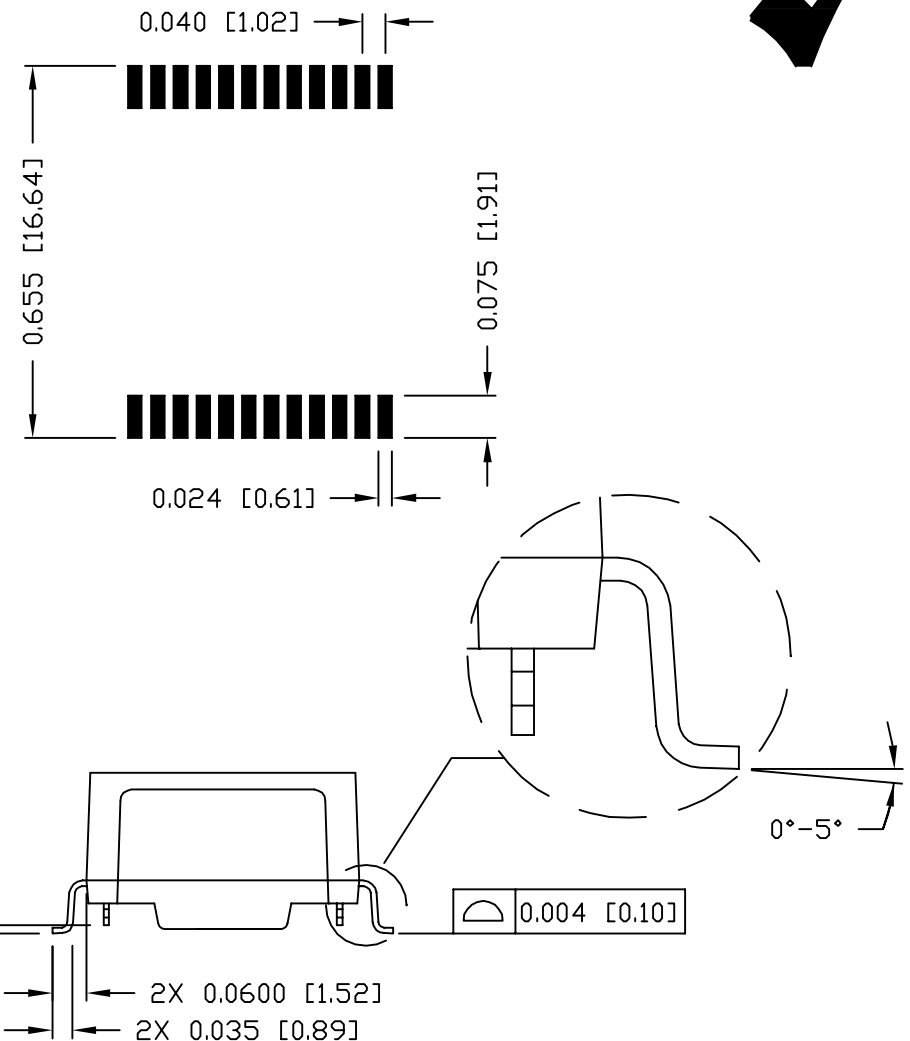
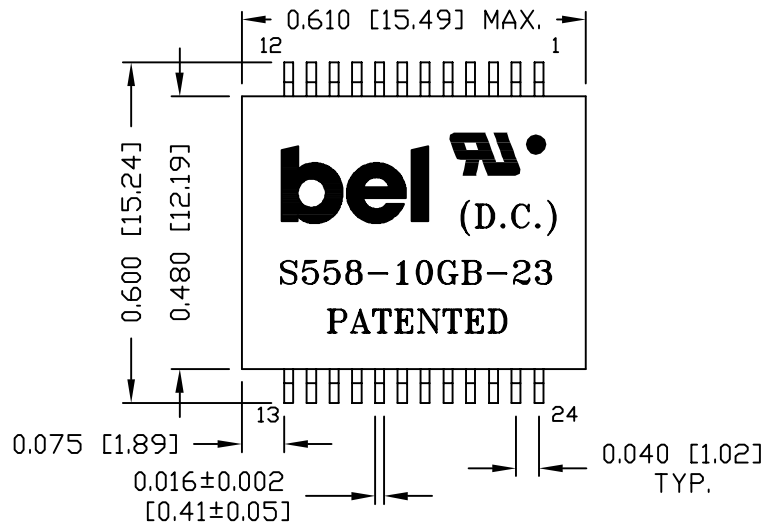
OPERATING TEMPERATURE : -40 TO 85°C

* INTERNAL USE ONLY

ORIGINATED BY Alice Pang	DATE 2020-01-21	TITLE ELECTRICAL SPECIFICATION	PART NO. / DRAWING NO. S558-10GB-23	STANDARD DIM. TOL. IN INCH	[] METRIC DIM. AS REF. UNIT : INCH [mm]	REV. : PA PAGE : 2
DRAWN BY ZC Guo	DATE 2020-01-21		FILE NAME S55810GB23PA.DWG	.X .XX .XXX	SCALE : N/A SIZE : A4	
DC002(2)120214			This document is electronically generated. This is a controlled copy if used internally			

THE INFORMATION CONTAINED HEREIN IS CONSIDERED 'PROPRIETARY' TO BEL FUSE INC. AND SHALL NOT BE COPIED, REPRODUCED OR DISCLOSED WITHOUT THE WRITTEN APPROVAL OF BEL FUSE INC.

SUGGESTED PCB PAD LAYOUT



NOTES:

- STANDARD MARKING REFER TO DOC. HAND-WORK-04.
- PACKAGE CODE: "QABS001".

ORIGINATED BY Lawrence Tsang	DATE 2020-01-21	TITLE MECHANICAL SPECIFICATION	PART NO. / DRAWING NO. S558-10GB-23	STANDARD DIM. TOL. IN INCH .X	[] METRIC DIM. AS REF. UNIT : INCH [mm]	REV. : PA	PAGE : 3
DRAWN BY ZC Guo	DATE 2020-01-21		FILE NAME S55810GB23PA.DWG	.XX ±0.01	SCALE : N/A		
				.XXX ±0.005	SIZE : A4		

Mouser Electronics

Authorized Distributor

Click to View Pricing, Inventory, Delivery & Lifecycle Information:

Bel:

[S558-10GB-23](#)