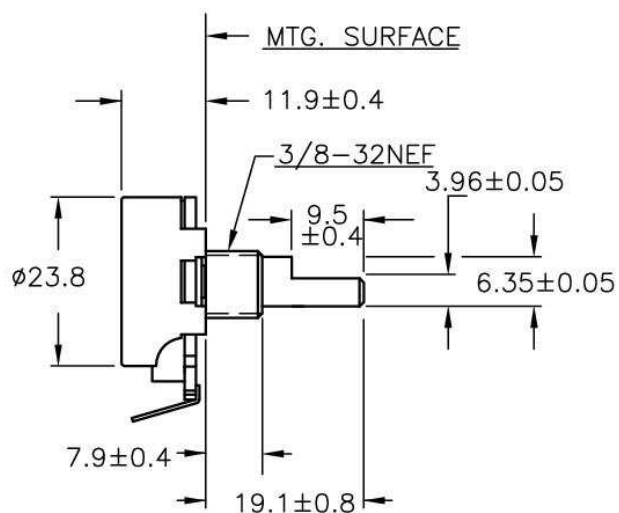
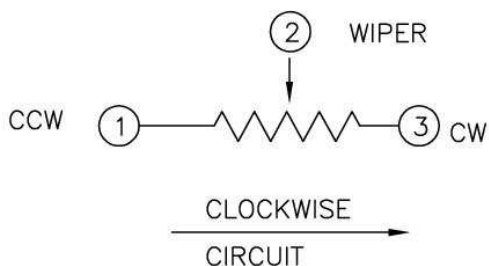
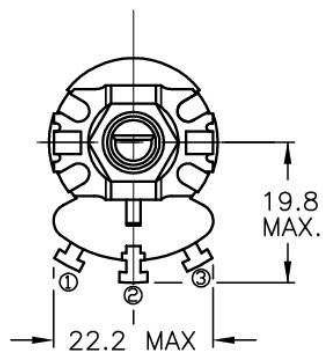


UNIT : mm



STANDARD FLAT LOCATION
SHOWN @ 50% ROTATION.



NOTES:

1. RESISTANCE : 700 ohms $\pm 10\%$
2. RESIDUAL RESISTANCE :
HEHO : 14 ohms max.
LEHO : 14 ohms max.
3. CURVE TYPE : LINEAR CTS TYPE D
4. 2% MAX. LINEARITY
5. BRASS BUSHING AND ALUM SHAFT.
6. HARDWARE : Nut:45T-3;Washer:1220A
7. FOR ADDITIONAL REQUIREMENTS SEE CTS
ENG. SPEC. # EN-SPE-026101

CTS COMPONENTS TAIWAN LTD.
KAOHSIUNG, TAIWAN, ROC

CAD LIST : ACAD(B)-CATALOG-76
FILE NAME : 026S0507

PART NO: 026S0507		REV	CUSTOMER : Athena Controls	
SCALE : NONE	TOLERANCE UNLESS OTHERWISE SPECIFIED .X (1 PLACE) : ± 0.3 .XX (2 PLACE) : ± 0.13 ANGLE : $\pm 5^\circ$		DRAWN BY : S.S.Chen	APPROVED BY : <i>HSHu</i>
CTS TYPE : T026			CHECKED BY : <i>S.S.Chen</i>	ISSUED DATE : 10/02/'12

CTS COMPONENTS TAIWAN, LTD.

ENGINEERING SPECIFICATION		SPEC NO. EN-SPE-026101
SPECIFICATION : 026 SERIES 24mm DIAMETER ROTARY POTENTIOMETER	DATE 08-06-10'	PAGE OF 1 1

1. GENERAL :

THIS SPECIFICATION COVERS THE REQUIREMENTS OF THE SUBJECT PRODUCT, UNLESS OTHERWISE SPECIFIED ON THE PART DRAWING.

1.1 OPERATING TEMPERATURE : -30°C TO 105°C

1.2 RoHS COMPLIANCE : THIS PART IS COMPLIANT WITH EU RoHS DIRECTIVE

2. MATERIAL :

ALL MATERIAL SHALL BE CORROSION AND MOISTURE RESISTANT.

2.1 SHAFT : PLASTIC (WITH UL FLAME CLASS 94V-2 OR BETTER), BRASS, BRASS/NI PLATED OR ALUM. IT IS SPECIFIED ON THE PART DRAWING.

2.2 BASE (TERMINAL BOARD) : BAKELITE WITH UL FLAME CLASS 94HB OR BETTER

2.3 RESISTANCE ELEMENT : WIREWOUND

3. MECHANICAL

3.1 ANGLE OF ROTATION : TOTAL ROTATION :(UNLESS OTHERWISE SPECIFIED)

WITHOUT SWITCH : 300° ± 5°

WITH SWITCH : 300° ± 5°

EFFECTIVE ROATAION :(UNLESS OTHERWISE SPECIFIED)

WITHOUT SWITCH : 280° APPROX

WITH SWITCH : 240° APPROX

3.2 CONFIGURATION/ DIMENSIONS : SEE ATTACHED DRAWING.

3.3 TURNING TORQUE : 3/4 ~ 6 in.oz (54 ~ 432 gcm). (STANDARD)

3.4 STOP STRENGTH : 17.0 Kgf-cm (15 in-lb)Min.

3.5 PUSH & PULL STRENGTH OF SHAFT : 13.6 Kgf (30lbs)Min.

4. ELECTRICAL :

2.1 RESISTANCE, TOLERANCE & TAPER : SEE ATTACHED DRAWING.

2.2 POWER RATING : 5 W @25°C 4 W @55°C DERATED TO NO LOAD @105°C.

2.3 VOLTAGE RATING : BUSHING TO TERMINALS, HIGH POT TEST, ONE MINUTE 1080VAC, OPERATING MAX 500VDC. ACROSS END TERMINALS, 350VDC MAX. LOAD NOT TO EXCEED LISTED WATTAGE RATINGS.

5. DURABILITY

5.1 ROTATIONAL LIFE TEST : ON LINEAR ELEMENTS, ±5 % ΔR DURING AND AFTER 10K CYCLES,

FOR NON-LINEAR ELEMENTS OR SPECIAL REQUIRED , SEE PART DRAWING.

5.2 HUMIDITY TEST : 95%R.H.@ 40°C FOR 240 HRS(NO LOAD). CHECK O.A. RESISTANCE CONTINUITY, RUST AND CORROSION INITIALLY & AFTER TEST. AFTER 100 HRS, THE ALLOWABLE RESISTANCE CHANGE ±5%. AFTER 240 HRS, THE ALLOWABLE RESISTANCE CHANGE ±10%.

5.3 INSULATION RESISTANCE: 100 Meg ohms min. @ 250 VDC.

O	RELEASED	08-06-'10	SS				
SYM	REVISION	DATE	BY	SYM	REVISION	DATE	BY
WRITTEN BY : <u>S.S. Chen</u> REVIEWED BY : <u>T.S. Chang</u> APPROVED BY : <u>H.S. Hu</u>				CUSTOMER : GENERAL DISTRIBUTION :			

Mouser Electronics

Authorized Distributor

Click to View Pricing, Inventory, Delivery & Lifecycle Information:

CTS:

[026S0507](#)