

4

3

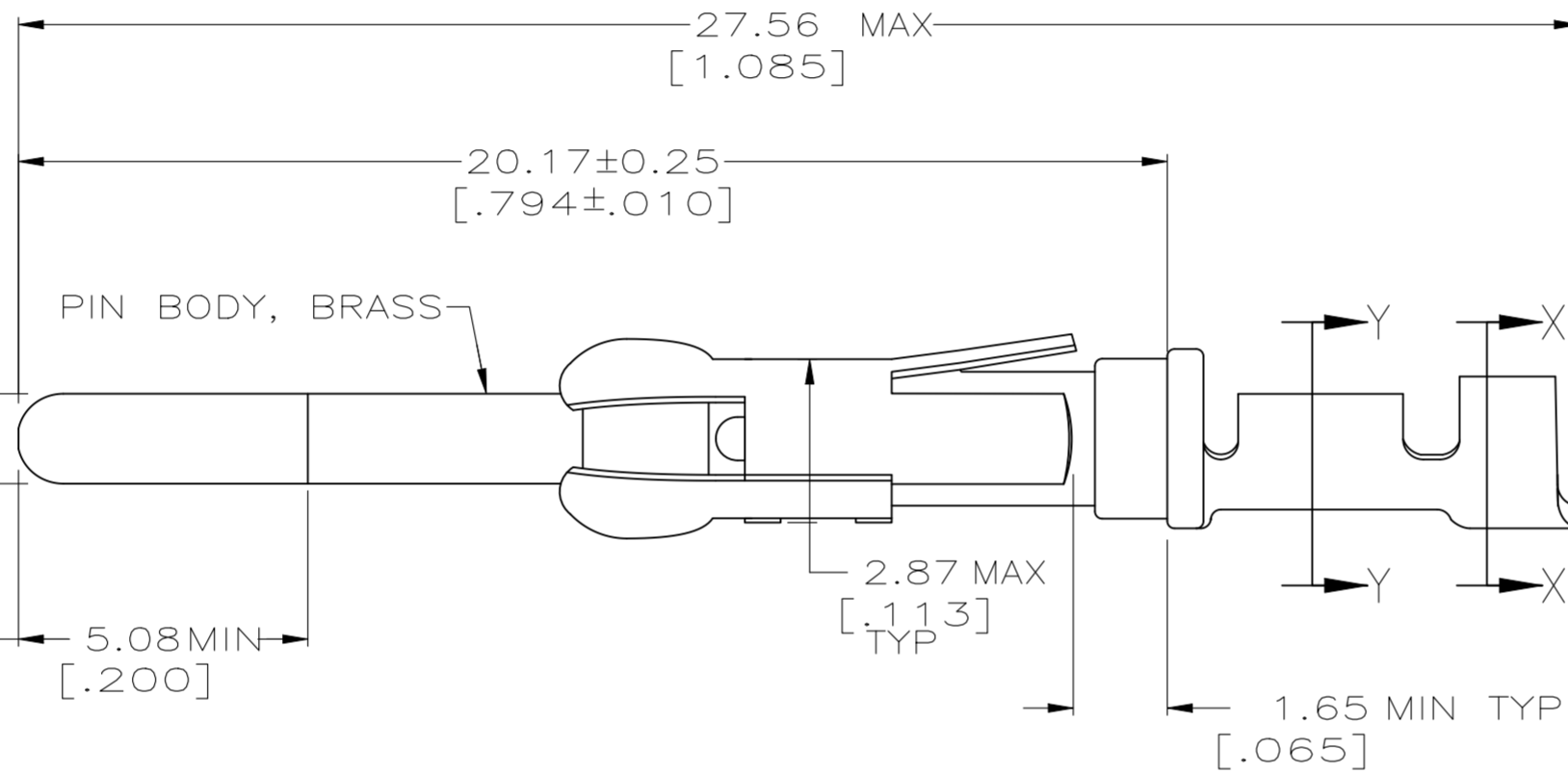
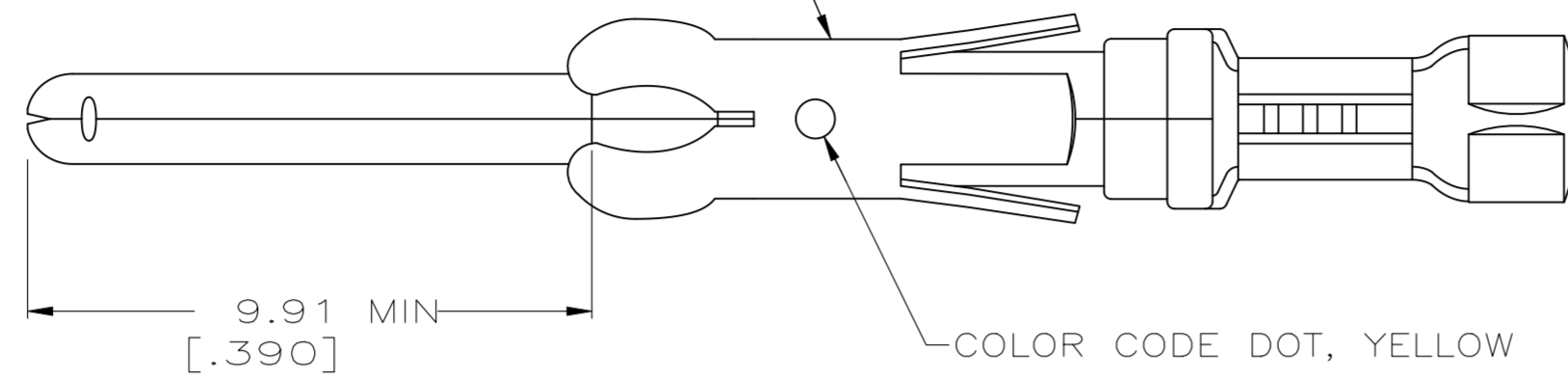
2

1

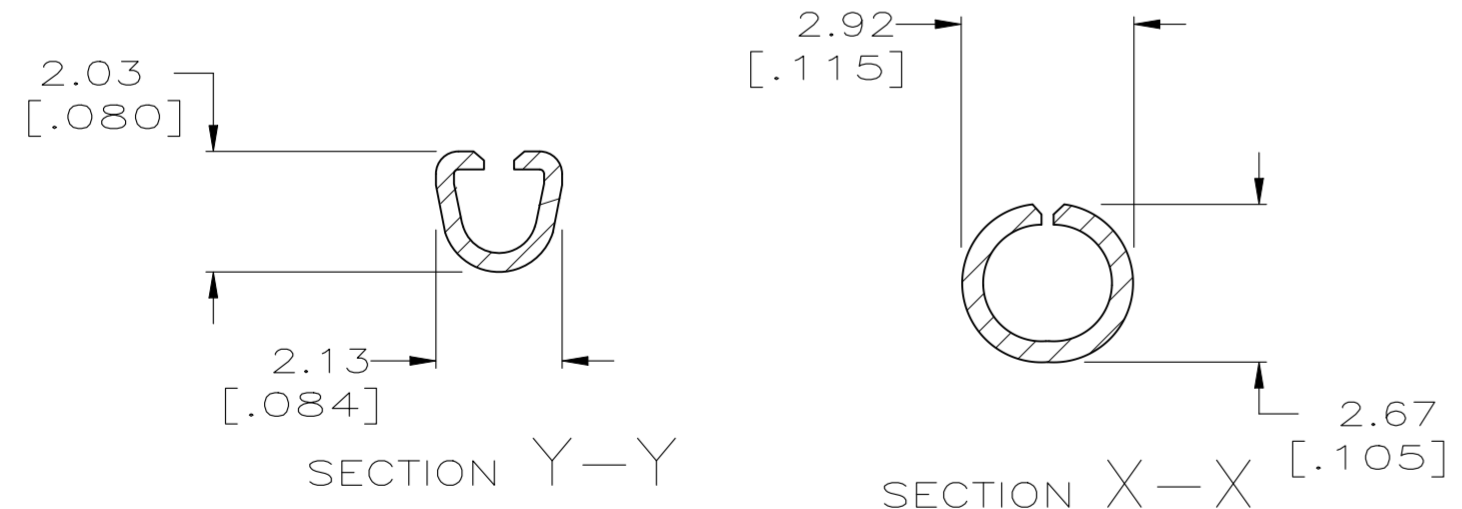
© - TE Connectivity. All Rights Reserved.

REVISIONS				
P	LTR	DESCRIPTION	DATE	APVD
	M	REVISED PER ECR-24-213591	28JUN2024	RK FJS

SPRING, STAINLESS STEEL



- 1. WIRE RANGE 26-20 AWG.
- 2. OBSOLETE PARTS: OBSOLETE CIS STREAMLINING PER D.RENAUD/D.SINISI



2	OBSOLETE	SMALL PACK	66182-2
		STANDARD	66182-1
		PACKAGING TYPE	PART NO

THIS DRAWING IS A CONTROLLED DOCUMENT.		DWN H MOLL 9-27-90	STE TE Connectivity	
DIMENSIONS: mm [INCHES]		CHK J. McCLINTON 12-15-90		
TOLERANCES UNLESS OTHERWISE SPECIFIED:		APVD A. BOULLIANNE 12-10-90	NAME PIN ASSEMBLY, LOOSE PIECE, TYPE III+	
0 PLC ± -		PRODUCT SPEC	SIZE CAGE CODE DRAWING NO RESTRICTED TO	
1 PLC ± -		APPLICATION SPEC	A2 00779 C-66182	
2 PLC ± 0.13[.005]		WEIGHT	SCALE 8:1 SHEET 1 of 1 REV M	
3 PLC ± -				
4 PLC ± -				
ANGLES ± -				
FINISH				
SEE CALL OUT				
PIN BODY: 0.76µm [0.000030] MIN PRECIOUS METAL PLATE IN LOCALIZE PLATE AREA.				
0.25µm [0.000010] MIN PRECIOUS METAL PLATE ON THE REMAINDER OVER 1.27µm [0.000050] MIN NICKEL.				

66182

B

A